

HOSE SELECTION

When using a new hose, run water through it to clean it out before attaching a nozzle.

Hose Size	Pipe Size	Typical Applications
1/8"	1½"-2"	Bathroom sinks, showers, smaller lines
1/4"	2"-4"	Laundry drains, kitchen sinks

It is important to select the largest possible hose size in order to have as much pressure as possible at the end of the hose. Pressure is measured at the pump, not at the end of the hose. When choosing a hose size, keep in mind that pressure is lost as water travels through the length of the hose. The longer the distance water travels, the greater the pressure decreases.

NOZZLE SELECTION

Make sure the nozzle you use matches the size of the pump. For example, a 1000 PSI pump requires a different nozzle than a 3000 PSI pump. Selecting the wrong nozzle will cause either a pressure loss, which will limit the cleaning ability, or a build up of too much pressure, which can damage the machine. All nozzles will have holes in the rear to propel the hose down the line, as well as to clean the line. A nozzle with both a rear and a forward hole is used to penetrate solid grease on sludge blockages. **Always** check nozzles before each use for possible clogs.

1500 PSI NOZZLES

1/8"	40 Degree	Multiple Rear Jets
1/8"	15 Degree	Multiple Rear Jets
1/8"	15 Degree	Multiple Rear Jets w/Forward Jet
1/4"	40 Degree	Multiple Rear Jets
1/4"	15 Degree	Multiple Rear Jets
1/4"	15 Degree	Multiple Rear Jets w/Forward Jet

The 15 Degree nozzles have a tighter spray pattern and more driving power for longer runs. The 40 Degree nozzles have a wider spray pattern for removing grease from the walls of a drain line.

STEPS FOR SAFE OPERATION

IMPORTANT: Before proceeding with the operation of the machine, be sure you have read carefully and understand all warnings, cautions, and the pre-operation checklist. Check oil levels.

1. Connect one end of the supply hose to the water faucet. Turn water faucet on fully and purge air from the hose line – turn water off. Connect the other end of the hose to the water inlet connection at pump. Select and securely fasten nozzle to jet hose. Insert hose into the line to be cleaned **at least 3 feet**.

2. Turn on the water faucet.
3. Start electric motor.
4. Open water valve to jetter hose. The hose will begin to advance into the drain line. Pull additional hose from the reel and guide it into the line.
5. The Electric Eel jetter will operate up to 1500 PSI. If the machine is operating at a lower pressure, the pressure control knob can be turned clockwise to increase pressure. The operating pressure is shown on the pressure gauge. Turn the knob counterclockwise to decrease pressure.
6. Always pull the water jet hose back one-half the distance advanced. The actual cleaning of the line takes place when the hose is pulled back toward the operator. By moving the hose back and forth, it also helps insure that the hose is not caught in the pipeline.
7. If the hose fails to advance down the line or has difficulty in maneuvering around bends, rotate the hose by forming a loop of hose near the drain opening, then rotate the loop 90 degrees to 180 degrees until the hose advances. If possible, it is always best to clean a line from the lower end.

PULSATION

The Electric Eel jetter (1500 PSI) comes equipped with a pulsator. The pulsator will assist in moving the jetter hose into the pipeline and around tight bends easier. The pulsating action in the hose reduces drag on the jetter hose, and with the assistance of the nozzle, causes the jetter hose to propel itself into the drain line. **Always start the electric motor with the pulse off.** It may not always be necessary to use the pulsation feature on lines with minimum blockage. The job can usually be completed without pulsation.

TO ENGAGE IN PULSATION:

1. Make sure unit is running and hose is in line.
2. Turn the pulse valve clockwise until a noticeable pulsation can be felt in hose.
3. Adjust knob until desired pulsation level is reached.
4. When the line has been cleared, turn off pulsation completely.

SHUTDOWN

After blockage has been cleared and water is flowing through the line, close water supply valve to jetter hose. Turn off motor. Retract hose from line and rewind on reel.

Electric Eel®

CALL TOLL FREE
1-800-833-1212

ELECTRIC EEL MANUFACTURING CO., INC.
501 W. Leffel Lane, Springfield, Ohio 45506
PH: 937-323-4644
FAX: 937-323-3767



ELECTRIC EEL MANUFACTURING CO., INC.

501 West Leffel Lane, Springfield, Ohio 45506
Call Toll Free: (800) 833-1212 (937) 323-4644 FAX: (937) 323-3767
www.electriceel.com Proudly Made in The USA Since 1939



Electric Eel®

MODEL EJ1500

Electric Powered Drain Jetter

Operator's Manual



Purchase Date: _____
Serial Number: _____

!! DANGER !!

FOR YOUR SAFETY

Before you operate or maintenance this equipment, READ this manual carefully and completely!

ELECTRIC EEL MANUFACTURING CO., INC.

501 West Leffel Lane, Springfield, Ohio 45506
Call Toll Free: (800) 833-1212 (937) 323-4644 FAX: (937) 323-3767
www.electriceel.com Proudly Made in The USA Since 1939

WARNING:

1. Never remove jetter hose from drain line while electric motor is running or hose is pressurized.
2. Read this manual thoroughly before operating any Electric Eel sewer/drain cleaning machine.
3. Read the included high pressure washer users manual thoroughly before operating high pressure sewer/drain cleaning equipment.
4. Unsafe operation of this machine may result in serious bodily injury or damage to the machine.

Read the operating instructions carefully before operating any Electric Eel product. Sewer/drain cleaning can be dangerous if proper safety procedures are not followed. Know the proper operation, limitations and correct applications of all Electric Eel products before use.

GENERAL OPERATING WARNINGS

1. **Never** remove jetter hose from drain line while electric motor is running or hose is pressurized.
2. **Always** wear safety glasses, face shield, and rubber gloves when operating machine.
3. **Always** avoid eye or skin contact with acids or caustic substances while cleaning sewers and drains.
4. Before beginning work, ask the customer if either acids or caustic substances are present in the pipe to be cleaned—and **ALWAYS** neutralize or remove such substances from drain line before cleaning. Exposure to these chemicals can cause serious injury to operator and damage equipment.
5. **Never** expose any skin cuts to drains and sewers and sewer cleaning equipment. Since drains and sewers carry bacteria, the possibility of infectious disease exists.
6. **Always** avoid contact with ears, eyes, or mouth with contents of pipe to lower risk of bacterial infection.
7. **Never** leave the equipment unattended once you have turned it on. If you must leave, shut off the equipment and relieve the pressure.
8. **Always** wear non-skid footwear.
9. **Never** spray flammable liquids. Spraying flammable liquids could cause fire or explosion, and is a danger to personnel. Do not use as a spray unit for any material except to spray water inside pipes.
10. **Never** let children or untrained adults operate the machine. Children should not be allowed in the area of operation.
11. **Never** spray toxic chemicals such as weed killer or insecticide. Such chemicals are a danger to personnel. Do not use as a spray unit for any material except to spray water inside pipes.
12. **Always** locate drain/sewer cleaning machine as close as possible to opening of pipe—be sure hoses are not allowed to whip.
13. **Never** point end of hose at a person while operating.

CAUTIONS

1. **Keep** all decals, labels, warnings, cautions, and instructions with machine. Contact Electric Eel immediately if new decals or labels are needed.
2. **Never** wear loose fitting clothing while operating any Electric Eel sewer/drain cleaning machine.
3. **Never** operate machine when fatigued or tired.
4. **Always** place machine and controls in a stable and accessible position for safe operation.
5. **Never** exceed limitations of equipment or accessories.
6. **Always** lift with your legs, not your back.

HIGH PRESSURE SEWER/DRAIN CLEANING

High pressure water jetting is the utilization of high pressure water combined with sufficient water flow to remove debris in sewer and drain lines. A high pressure water jetter used in sewer and drain cleaning consists of the following components:

- a. Pump
- b. Electric motor
- c. A hose reel with a given length of hose
- d. A water source
- e. A various assortment of nozzles

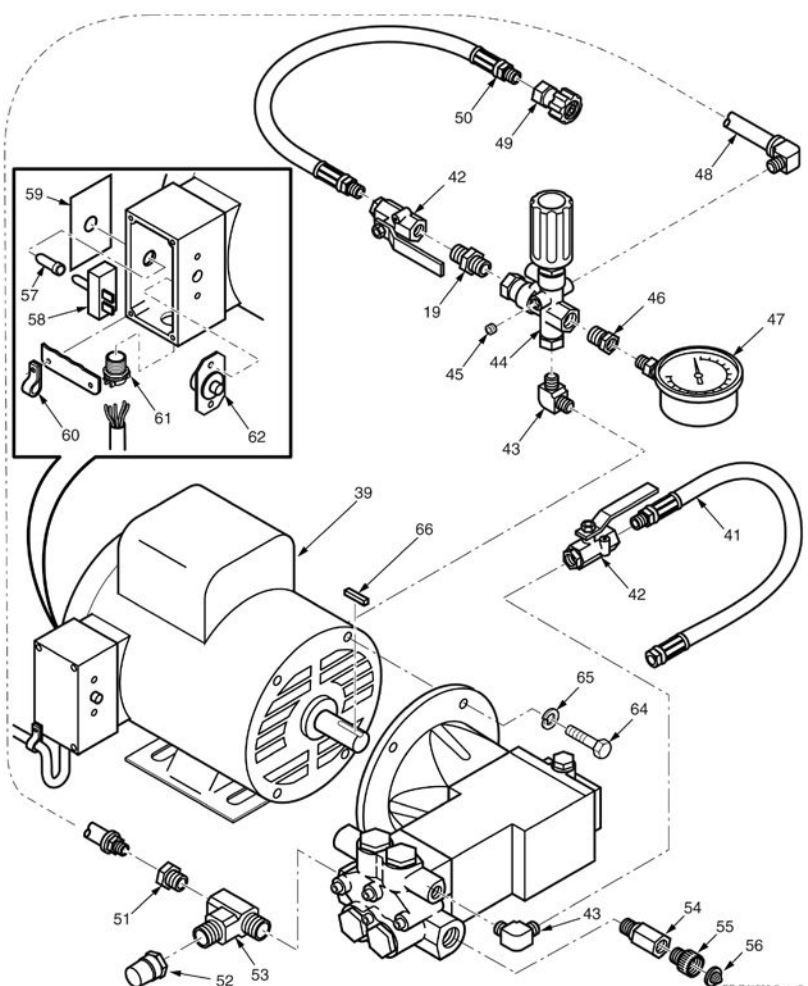
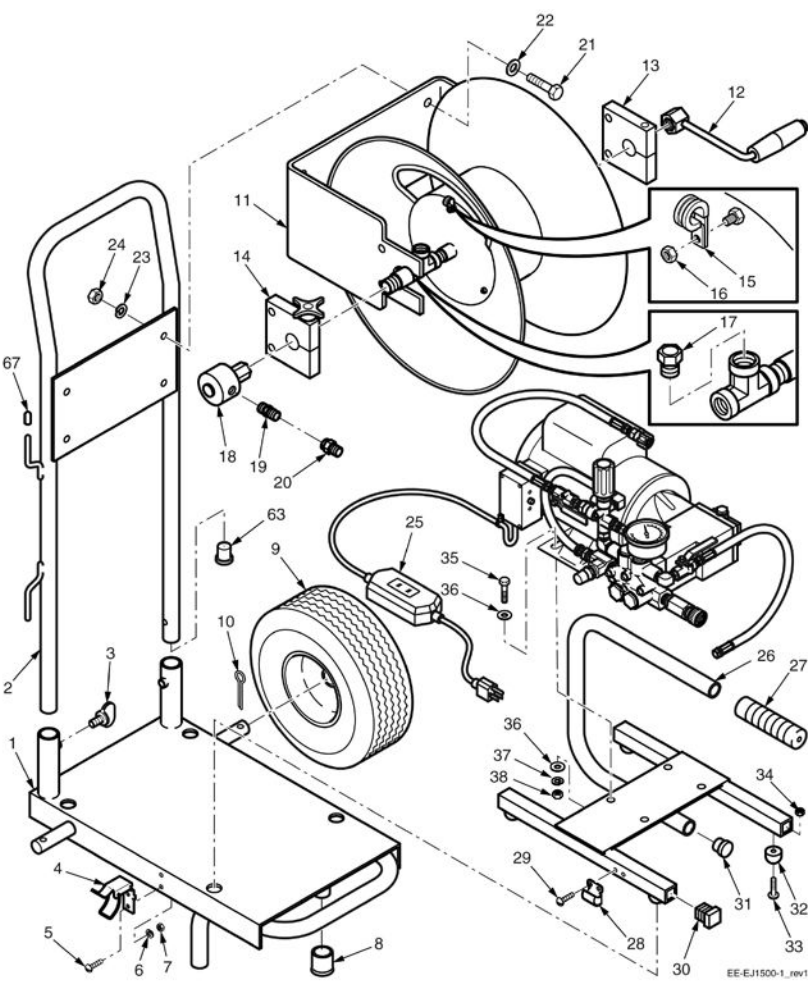
A drain line is cleaned with high pressure water by directing water pressure and flow through a nozzle. Pressure cuts through a stoppage while flow clears it away.

PRE-OPERATION CHECKLIST

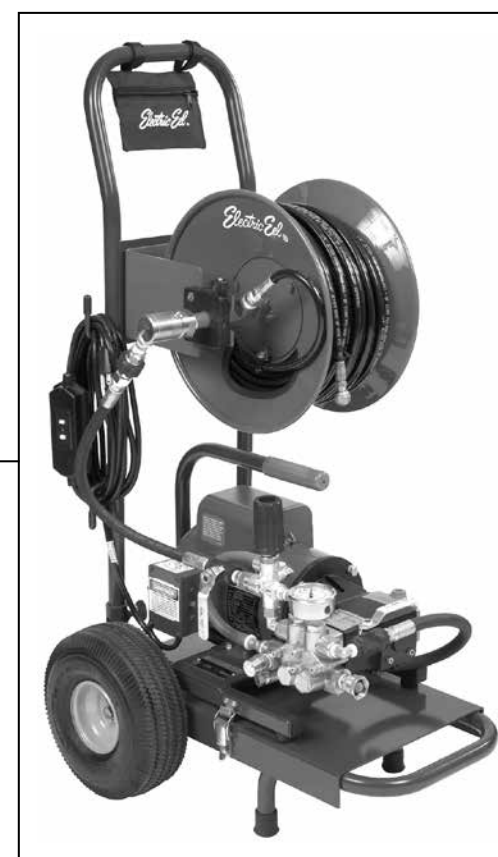
IMPORTANT: Review material carefully before proceeding to operational instructions.

1. The inlet screen must be cleaned regularly before each use to avoid damage to the pump and pulsator.
2. Before using the machine, make certain the incoming water supply does not contain any impurities such as dirt, debris, or foreign objects. Turn water on for at least 15 seconds and let it run before connecting hose to machine to remove any debris.
3. Hose used for water supply should have an inside diameter line of at least 5/8 inch. If unit is run without proper water supply, pump damage can occur. The supply must be capable of providing the flow rate required by the pump.
4. Water temperature should not exceed 140° F as high temperature can cause failure of seals in pump.
5. Check the level of pump oil before each use. The oil should be half way up the site glass.

WARNING: This product can expose you to chemicals including lead, which is known to the State of California to cause cancer and birth defects or other reproductive harm. For more information, go to www.P65Warnings.ca.gov.



Model EJ1500 Electric Powered Drain Jetter



Model EJ1500 Electric Powered Drain Jetter

ITEM #	PART #	DESCRIPTION	AMT	ITEM #	PART #	DESCRIPTION	AMT
1	EJ-5	Cart Base	1	35	CSHH516181	5/16-18 x 1 Hex Head Capscrew	4
2	EJ-6	Handle	1	36	WA516S	5/16 Flatwasher	8
3	DL-4	Thumb Screw	2	37	LW516	5/16 Lockwasher	4
4	1500-HC	Catch	2	38	NU51618FHP	5/16 Hex Nut	4
5	MS83212RH	8-32 x 1/2 Machine Screw	1	39	EJM-1 1/2	Motor 1 1/2 HP	1
6	LW10	#10 Lockwasher	1	40	1500-PUMPH	Pump	1
7	NU832FHP	8-32 Hex Nut	1	41	EJ-9	Pulse Hose	1
8	EE-14	Rubber Tips	2	42	1500-BV	3/8 Ball Valve	2
9	D-WP4104	Wheel and Tire Assembly	2	43	34550606	3/8 Elbow	2
10	CP5321	5/32 x 1 Cotter Pin	2	44	1500-ULVH	Unloader Valve	1
11	1500-HR	Hose Reel Assembly	1	45	316204	1/4 Plug	1
12	B011003	Reel Handle	1	46	32200604	3/8 to 1/4 Reducer	1
13	11223000	Bearing Block	1	47	1500-PG	Pressurer Gauge	1
14	B011050	Bearing Block with Brake	1	48	EJ-7	Bypass Hose	1
15	03191220	Hose Clamp	1	49	3341-1	Quick Connect Female Coupler	1
16	NU1420NY	1/4 Nylon Hex Nut	1	50	EJ-8	Pony Hose	1
17	32200804	1/2 to 1/4 Reducer	1	51	32200804	1/2 to 1/4 Reducer	1
18	1500-HRSWSE	Reel Swivel	1	52	1500-TRVH	Thermal Relief Valve	1
19	33250606	3/8 Nipple	2	53	3750080808	1/2 Run-T	1
20	3341-5	Male Quick Connect Coupler	1	54	54050808*	1/2 Bushing	1
21	CSHH516181	5/16-18 x 1 Hex Head Screw	4	55	21520128	Garden Hose Swivel	1
22	WA516S	5/16 SAE Flatwasher	4	56	3000-IS	Filter Screen	1
23	LW516	5/16 Lockwasher	4	57	SW-BOOT	Toggle Switch Boot	1
24	NU51618FHP	5/16 Hex Nut	4	58	1500-SW	Toggle Switch On/Off	1
25	GFCI	Ground Fault Circuit Interrupter 20' Cord	1	59	1500-SWP	Switch Plate	1
26	EJ-2	Power Unit Base	1	60	CH31S10	Wire Clamp	1
27	HG	Handle Grip	1	61	C-TSC12	Screw Connector	1
28	1500-HS	Striker	2	62	1500-TOSB	Thermal Overload Switch	1
29	MS83212RH	8-32 x 1/2 Machine Screw	4	63	RD1CP	Cap Plug	1
30	SQ1CP	Cap Plug	4	64	CSHH38161	3/8-16 x Hex Head Screw	4
31	RD1CP	Cap Plug	1	65	LW38	3/8 Lockwasher	4
32	EJ-2RF	Rubber Feet	4	66	K316964138	3/16 x 9/64 x 1 3/8 Key	1
33	MS83234RH	8-32 x 3/4 Machine Screw	4	67	DL6CAP	Cord Hook Cap	2
34	NU832FPH	8-32 Hex Nut	4				

*Item required prior to March 2004

Model EJ1500 Electric Powered Drain Jetter – Applications

The EJ1500 Electric Powered Drain Jetter is ideal for cleaning GREASE, SOAP, SLUDGE & SAND.

Hose Size	Pipe Size	Application
1/4"	2" - 4"	Kitchen sinks, laundry drains & clean-outs
1/8"	1 1/4" - 2"	Small lines, bathroom sinks, tight bends

Nozzles

1/4" Hose - set of (3): 40° Multiple rear jets, 15° Multiple rear jets, Multiple rear jets w/forward jet
 1/8" Hose - set of (2): 40° Multiple rear jets, Multiple rear jets w/forward jet

Spray Patterns

Forward jet - to penetrate a blockage • *Rear jets* - to drive hose down a line and clean walls of pipe

A tight spray pattern (15°) has more driving power for longer runs.

A wide spray pattern (40°) is good for cleaning grease on the walls of the pipe.