

HD35V5 Mini-Excavator



ACCESS KATO's V5 line features wide-opening access panels & large compartments for working around the engine, hydraulics, etc.



EXPAND The 35V5 offers hydraulic expandable tracks, ranging between 61" and 71", giving the operator greater flexibility and stability.

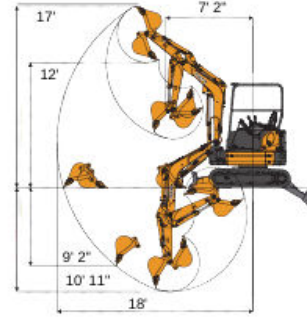
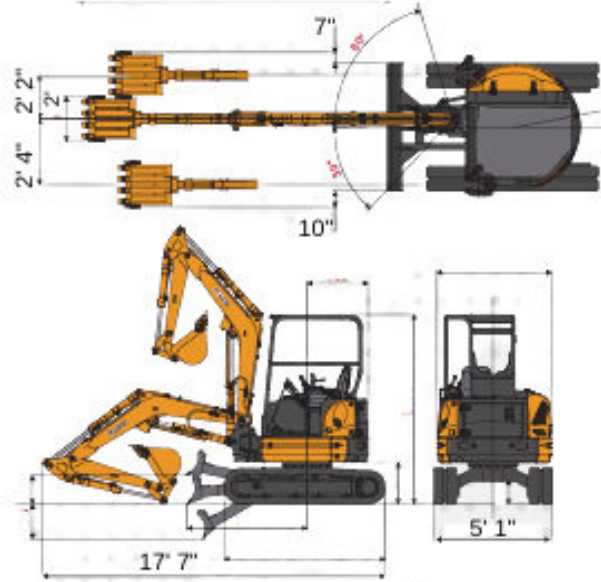


CONTROL KATO's V5 line features highly responsive pilot controls and easy to read instrument panels, all within the most comfortable cabs on the market.



EXTEND Add 2' of digging depth with the optional Hydraulic Extend-a-Hoe (slide arm) on the KATO 35V5 excavator.

KATO



HD35V5	Working Ranges
A: Max Digging Radius	18'
B: Max Digging Depth	10' 11"
C: Max Vertical Dig Depth	9' 2"
D: Max Dumping Height	12'
E: Max Digging Height	17'
F: Min. Front-turn Radius at Right Boom Swing	7' 2" 6' 3"

HD35V5

KATO

COMPACT EXCAVATOR SALES, LLC

www.KATOCES.com

400 Production Court
Elizabethtown, KY 42701

(800) 538-1447 | Fax: (270) 737-0419

Performance	
Bucket Capacity	3.5 ft ³
Bucket Width	24"
Operating Weight	8,082 lbs.
Transport Weight	7,606 lbs.
Swing Speed	9 rpm
Travel Speed (Low/ High)	1.7 / 2.9 mph
Gradeability	30°
Ground Pressure	4.4 psi
Bucket Digging Force	7,688 lbs.
Engine	
Model	YANMAR 3TNV88F
Output Rating	23 hp @ 2200 rpm
Fuel Tank Capacity	11 gal.
Boom Swing System	
Type	Offset Boom w/ Hydraulic Cyl.
Swing Angle (L / R)	50° / 80°
Hydraulic System	
Total Hydraulic System Flow	25 gpm
Max Auxiliary Hydraulic Flow	16 gpm
Dozer Blade	
Size	1' 3" x 5' 1"
Lift Above / Drop Below Ground	1' 3" / 1' 6"