

# OPERATION AND PARTS MANUAL



**MQ POWER**

**MODEL DCA125USJ**

**60 Hz GENERATOR**

**(JOHN DEERE 6068TF 275 DIESEL ENGINE)**


PARTS LIST NO. M3870400004

Revision #2 (01/27/11)


To find the latest revision of this  
publication, visit our website at:  
[www.multiquip.com](http://www.multiquip.com)



THIS MANUAL MUST ACCOMPANY THE EQUIPMENT AT ALL TIMES.



# **WARNING**



**CALIFORNIA — Proposition 65 Warning**

**Diesel engine exhaust and some of its constituents are known to the State of California to cause cancer, birth defects and other reproductive harm.**

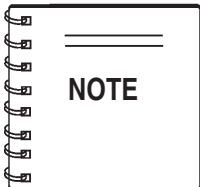


**MQ POWER DCA12USJ  
AC GENERATOR**

California Proposition 65 Warning ..... 2  
 Here's How To Get Help ..... 3  
 Table Of Contents ..... 4  
 Parts Ordering Procedures ..... 5  
 Specifications ..... 6  
 Dimensions (Top, Side, Front) ..... 7  
 Safety Information ..... 8-13  
 Generator Decals ..... 14-15  
 Installation ..... 16-17  
 General Information ..... 18  
 Major Components ..... 19  
 Generator Control Panel ..... 21  
 Engine Operating Panel ..... 22-23  
 Output Terminal Panel Familiarization ..... 24-26  
 Load Application ..... 27  
 Generator Outputs ..... 28  
 Gauge Reading ..... 29  
 Output Terminal Panel Connections ..... 30-31  
 Pre Setup ..... 32-35  
 Generator Start-up Procedure (Manual) ..... 36-37  
 Generator Start-up Procedure (Auto Mode) ..... 38  
 Generator Shut-Down Procedure ..... 39  
 Maintenance ..... 40-42  
 Trailer Brakes Maintenance ..... 43  
 Trailer Maintenance ..... 44-45  
 Trailer Wiring Diagram ..... 46  
 Generator Wiring Diagram ..... 47  
 Engine Wiring Diagram ..... 48  
 Generator Troubleshooting ..... 49  
 Engine Controller Troubleshooting ..... 50  
 Explanation of Code in Remarks Column ..... 52  
 Suggested Spare Parts ..... 53

**COMPONENT DRAWINGS**

Generator Assembly ..... 54-55  
 Control Box Assembly ..... 56-59  
 Engine & Radiator Assembly ..... 60-63  
 Output Terminal Assembly ..... 64-65  
 Battery Assembly ..... 66-67  
 Muffler Assembly ..... 68-69  
 Fuel Tank Assembly ..... 70-71  
 Enclosure #1 Assembly ..... 72-75  
 Enclosure #2 Assembly ..... 76-77  
 Rubber Seals Assembly ..... 78-79  
 Nameplate and Decals ..... 80-81  
 Terms and Condition of Sale — Parts ..... 82



*Specification and part number are subject to change without notice.*

# PARTS ORDERING PROCEDURES

## Ordering parts has never been easier! Choose from three easy options:

Effective:  
January 1<sup>st</sup>, 2006



### Order via Internet (Dealers Only):

Order parts on-line using Multiquip's SmartEquip website!

- View Parts Diagrams
- Order Parts
- Print Specification Information



If you have an MQ Account, to obtain a Username and Password, E-mail us at: [parts@multiquip.com](mailto:parts@multiquip.com).

To obtain an MQ Account, contact your District Sales Manager for more information.

Goto [www.multiquip.com](http://www.multiquip.com) and click on

**Order Parts** to log in and save!

Use the **internet** and qualify for a **5% Discount** on *Standard orders* for all orders which include complete part numbers.\*

Note: Discounts Are Subject To Change



### Order via Fax (Dealers Only):

All customers are welcome to order parts via Fax.

**Domestic (US) Customers dial:**

1-800-6-PARTS-7 (800-672-7877)

**Fax** your order in and qualify for a **2% Discount** on *Standard orders* for all orders which include complete part numbers.\*

Note: Discounts Are Subject To Change



**Order via Phone: Domestic (US) Dealers Call:**  
1-800-427-1244

### Non-Dealer Customers:

Contact your local Multiquip Dealer for parts or call 800-427-1244 for help in locating a dealer near you.



**International Customers** should contact their local Multiquip Representatives for Parts Ordering information.

## When ordering parts, please supply:

- |   |  |
|---|--|
| <input type="checkbox"/> Dealer Account Number                                | <input type="checkbox"/> Specify Preferred Method of Shipment:                         |
| <input type="checkbox"/> Dealer Name and Address                              | <input checked="" type="checkbox"/> UPS/Fed Ex <input checked="" type="checkbox"/> DHL |
| <input type="checkbox"/> Shipping Address (if different than billing address) | <input type="checkbox"/> Priority One <input checked="" type="checkbox"/> Truck        |
| <input type="checkbox"/> Return Fax Number                                    | <input type="checkbox"/> Ground  |
| <input type="checkbox"/> Applicable Model Number                              | <input type="checkbox"/> Next Day  |
| <input type="checkbox"/> Quantity, Part Number and Description of Each Part   | <input type="checkbox"/> Second/Third Day  |

### NOTICE

All orders are treated as *Standard Orders* and will ship the same day if received prior to 3PM PST.

WE ACCEPT ALL MAJOR CREDIT CARDS!



www.multiquip.com



# DCA-125USJ — SPECIFICATIONS

**Table 1. Generator Specifications**

|                            |   |                |
|----------------------------|---|----------------|
| <b>Model</b>               | <b>DCA125USJ</b>  |                |
| <b>Type</b>                | Revolving field, self ventilated, open protected type synchronous generator |                |
| <b>Armature Connection</b> | <b>Star with Neutral</b>  | <b>Zig Zag</b> |
| <b>Phase</b>               | 3   | Single         |
| <b>Standby Output</b>      | 137 KVA (110 KW)  | 79 KW          |
| <b>Prime Output</b>        | 125 KVA (100 KW)  | 72 KW          |
| <b>Voltage</b>             | 240V or 480V  | 240/120V       |
| <b>Frequency</b>           | 60 Hz   |                |
| <b>Speed</b>               | 1800 rpm  |                |
| <b>Power Factor</b>        | 0.8   | 1              |
| <b>Aux. AC Power</b>       | Single Phase, 60 Hz   |                |
| <b>Voltage</b>             | 120 V   |                |
| <b>Output</b>              | 4.8 KW (2.4 KW x 2)   |                |

**Table 2. Engine Specifications**

|                           |  |   |
|---------------------------|--|---|
| <b>Model</b>              | <b>JOHN DEERE 6068TF 275</b>                           |   |
| <b>Type</b>               | 4 cycle, water-cooled, direct injection, turbo-charged |   |
| <b>No. of Cylinders</b>   | 6 cylinders  |   |
| <b>Bore x Stroke</b>      | 4.19 in. x 5 in. (106 mm x 127 mm)                     |   |
| <b>Rated Output</b>       | 150 HP/1800 rpm  |   |
| <b>Displacement</b>       | 415 cu. in. (6,800 cc)                                 |   |
| <b>Starting</b>           | Electric 12VDC   |   |
| <b>Coolant Capacity</b>   | 4.4 gal. (16.8 liters)                                 |   |
| <b>Lube Oil Capacity</b>  | 5.3 gal. (18.9 liters)                                 |   |
| <b>Fuel Type</b>          | #2 Diesel Fuel   |   |
| <b>Fuel Tank Capacity</b> | 169 gal. (640 liters)                                  |   |
| <b>Fuel Consumption</b>   | 7.7 gal. (29.0 L)/hr at <b>full load</b>               | 5.8 gal. (21.9 L)/hr at <b>3/4 load</b> |
|                           | 3.8 gal. (14.5 L)/hr at <b>1/2 load</b>                | 2.5 gal. (9.3 L)/hr at <b>1/4 load</b>  |
| <b>Battery</b>            | 12V BCI Group 46                                       |   |

# DCA-125USJ — DIMENSIONS (TOP, SIDE AND FRONT)

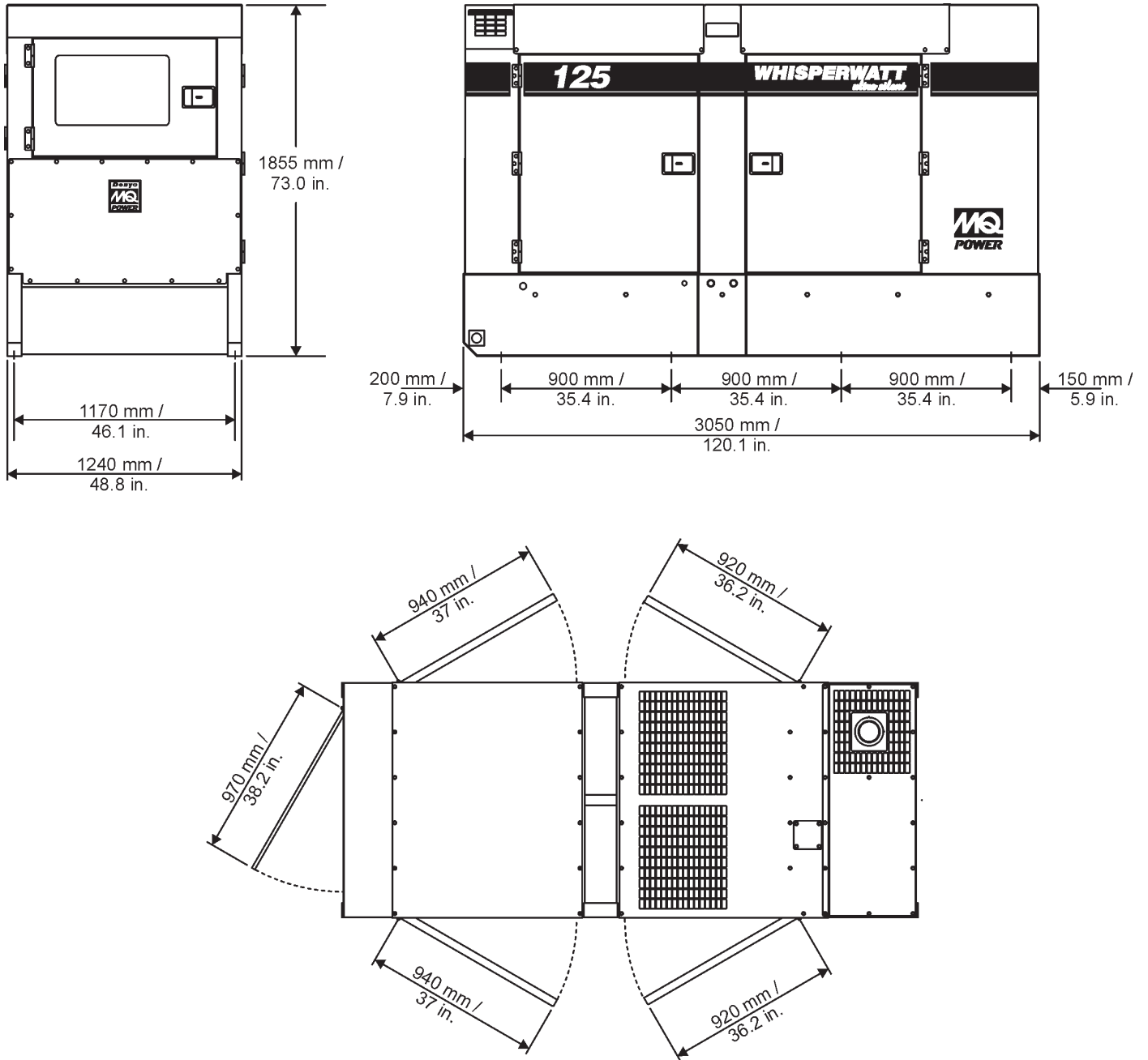


Figure 1. Dimensions

Do not operate or service the equipment before reading the entire manual. Safety precautions should be followed at all times when operating this equipment. Failure to read and understand the safety messages and operating instructions could result in injury to yourself and others.

## SAFETY MESSAGES

The four safety messages shown below will inform you about potential hazards that could injure you or others. The safety messages specifically address the level of exposure to the operator and are preceded by one of four words: **DANGER**, **WARNING**, **CAUTION** or **NOTICE**.

## SAFETY SYMBOLS

### **DANGER**

Indicates a hazardous situation which, if not avoided, **WILL** result in **DEATH** or **SERIOUS INJURY**.

### **WARNING**

Indicates a hazardous situation which, if not avoided, **COULD** result in **DEATH** or **SERIOUS INJURY**.








### **CAUTION**

Indicates a hazardous situation which, if not avoided, **COULD** result in **MINOR** or **MODERATE INJURY**.

### **NOTICE**

Addresses practices not related to personal injury.

Potential hazards associated with the operation of this equipment will be referenced with hazard symbols which may appear throughout this manual in conjunction with safety messages.

| Symbol  | Safety Hazard              |
|---|----------------------------|
|    | Lethal exhaust gas hazards |
|    | Explosive fuel hazards     |
|    | Burn hazards               |
|   | Overspeed hazards          |
|  | Rotating parts hazards     |
|  | Pressurized fluid hazards  |
|  | Electric shock hazards     |



## GENERAL SAFETY

### CAUTION

- **NEVER** operate this equipment without proper protective clothing, shatterproof glasses, respiratory protection, hearing protection, steel-toed boots and other protective devices required by the job or city and state regulations.



- **NEVER** operate this equipment when not feeling well due to fatigue, illness or when under medication.



- **NEVER** operate this equipment under the influence of drugs or alcohol.



- **ALWAYS** check the equipment for loosened threads or bolts before starting.
- **DO NOT** use the equipment for any purpose other than its intended purposes or applications.

### NOTICE

- This equipment should only be operated by trained and qualified personnel 18 years of age and older.
- Whenever necessary, replace nameplate, operation and safety decals when they become difficult read.
- Manufacturer does not assume responsibility for any accident due to equipment modifications. Unauthorized equipment modification will void all warranties.

- **NEVER** use accessories or attachments that are not recommended by Multiquip for this equipment. Damage to the equipment and/or injury to user may result.

- **ALWAYS** know the location of the nearest **fire extinguisher**.



- **ALWAYS** know the location of the nearest **first aid kit**.



- **ALWAYS** know the location of the nearest phone or **keep a phone on the job site**. Also, know the phone numbers of the nearest **ambulance, doctor** and **fire department**. This information will be invaluable in the case of an emergency.



## GENERATOR SAFETY

### DANGER

- **NEVER** operate the equipment in an explosive atmosphere or near combustible materials. An explosion or fire could result causing severe **bodily harm or even death**.



### WARNING

- **NEVER** disconnect any **emergency or safety devices**. These devices are intended for operator safety. Disconnection of these devices can cause severe injury, bodily harm or even death. Disconnection of any of these devices will void all warranties.

### CAUTION

- **NEVER** lubricate components or attempt service on a running machine.

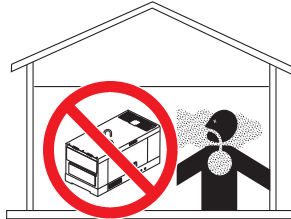
### NOTICE

- **ALWAYS** ensure generator is on level ground before use.
- **ALWAYS** keep the machine in proper running condition.
- Fix damage to machine and replace any broken parts immediately.
- **ALWAYS** store equipment properly when it is not being used. Equipment should be stored in a clean, dry location out of the reach of children and unauthorized personnel

## ENGINE SAFETY

### DANGER

- The engine fuel exhaust gases contain poisonous carbon monoxide. This gas is colorless and odorless, and can cause death if inhaled.
- The engine of this equipment requires an adequate free flow of cooling air. **NEVER** operate this equipment in any enclosed or narrow area where free flow of the air is restricted. If the air flow is restricted it will cause injury to people and property and serious damage to the equipment or engine.



### WARNING

- **DO NOT** place hands or fingers inside engine compartment when engine is running.
- **NEVER** operate the engine with heat shields or guards removed.
- Keep fingers, hands hair and clothing away from all moving parts to prevent injury.
- **DO NOT** remove the radiator cap while the engine is hot. High pressure boiling water will gush out of the radiator and severely scald any persons in the general area of the generator.
- **DO NOT** remove the coolant drain plug while the engine is hot. Hot coolant will gush out of the coolant tank and severely scald any persons in the general area of the generator.
- **DO NOT** remove the engine oil drain plug while the engine is hot. Hot oil will gush out of the oil tank and severely scald any persons in the general area of the generator.



### CAUTION

- **NEVER** touch the hot exhaust manifold, muffler or cylinder. Allow these parts to cool before servicing equipment.



## NOTICE

- **NEVER** run engine without an air filter or with a dirty air filter. Severe engine damage may occur. Service air filter frequently to prevent engine malfunction.
- **NEVER** tamper with the factory settings of the engine or engine governor. Damage to the engine or equipment can result if operating in speed ranges above the maximum allowable.
- Wet stacking is a common problem with diesel engines which are operated for extended periods with light or no load applied. When a diesel engine operates without sufficient load (less than 40% of the rated output), it will not operate at its optimum temperature. This will allow unburned fuel to accumulate in the exhaust system, which can foul the fuel injectors, engine valves and exhaust system, including turbochargers, and reduce the operating performance.



In order for a diesel engine to operate at peak efficiency, it must be able to provide fuel and air in the proper ratio and at a high enough engine temperature for the engine to completely burn all of the fuel.

Wet stacking does not usually cause any permanent damage and can be alleviated if additional load is applied to relieve the condition. It can reduce the system performance and increase maintenance. Applying an increasing load over a period of time until the excess fuel is burned off and the system capacity is reached usually can repair the condition. This can take several hours to burn off the accumulated unburned fuel.

- State Health Safety Codes and Public Resources Codes specify that in certain locations, spark arresters must be used on internal combustion engines that use hydrocarbon fuels. A spark arrester is a device designed to prevent accidental discharge of sparks or flames from the engine exhaust. Spark arresters are qualified and rated by the United States Forest Service for this purpose. In order to comply with local laws regarding spark arresters, consult the engine distributor or the local Health and Safety Administrator.

## FUEL SAFETY

### DANGER

- **DO NOT** start the engine near spilled fuel or combustible fluids. Diesel fuel is extremely flammable and its vapors can cause an explosion if ignited.
- **ALWAYS** refuel in a well-ventilated area, away from sparks and open flames.
- **ALWAYS** use extreme caution when working with **flammable** liquids.
- **DO NOT** fill the fuel tank while the engine is running or hot.
- **DO NOT** overfill tank, since spilled fuel could ignite if it comes into contact with hot engine parts or sparks from the ignition system.
- Store fuel in appropriate containers, in well-ventilated areas and away from sparks and flames.
- **NEVER** use fuel as a cleaning agent.
- **DO NOT** smoke around or near the equipment. Fire or explosion could result from fuel vapors or if fuel is spilled on a hot engine.



## TOWING SAFETY

### CAUTION

- Check with your local county or state safety towing regulations, in addition to meeting **Department of Transportation (DOT) Safety Towing Regulations**, before towing your generator.
- Refer to MQ Power trailer manual for additional safety information.
- In order to reduce the possibility of an accident while transporting the generator on public roads, **ALWAYS** make sure the trailer that supports the generator and the towing vehicle are mechanically sound and in good operating condition.
- **ALWAYS** shutdown engine before transporting

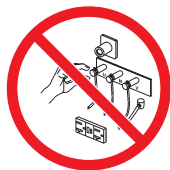


- Make sure the hitch and coupling of the towing vehicle are rated equal to, or greater than the trailer “gross vehicle weight rating.”
- **ALWAYS** inspect the hitch and coupling for wear. **NEVER** tow a trailer with defective hitches, couplings, chains, etc.
- Check the tire air pressure on both towing vehicle and trailer. **Trailer tires should be inflated to 50 psi cold.** Also check the tire tread wear on both vehicles.
- **ALWAYS** make sure the trailer is equipped with a **safety chain**.
- **ALWAYS** properly attach trailer’s safety chains to towing vehicle.
- **ALWAYS** make sure the vehicle and trailer directional, backup, brake and trailer lights are connected and working properly.
- DOT Requirements include the following:
  - Connect and test electric brake operation.
  - Secure portable power cables in cable tray with tie wraps.
- The maximum speed for highway towing is **55 MPH** unless posted otherwise. Recommended off-road towing is not to exceed **15 MPH** or less depending on type of terrain.
- Avoid sudden stops and starts. This can cause skidding, or jack-knifing. Smooth, gradual starts and stops will improve towing.
- Avoid sharp turns to prevent rolling.
- Trailer should be adjusted to a level position at all times when towing.
- Raise and lock trailer wheel stand in up position when towing.
- Place **chock blocks** underneath wheel to prevent **rolling** while parked.
- Place **support blocks** underneath the trailer’s bumper to prevent **tipping** while parked.
- Use the trailer’s swivel jack to adjust the trailer height to a level position while parked.

## ELECTRICAL SAFETY

### DANGER

- **DO NOT** touch output terminals during operation. Contact with output terminals during operation can cause **electrocution, electrical shock or burn**.



- The electrical voltage required to operate the generator can cause severe injury or even death through physical contact with live circuits. Turn generator and all circuit breakers **OFF** before performing maintenance on the generator or making contact with output terminals.

- **NEVER** insert any objects into the output receptacles during operation. This is extremely dangerous. The possibility exists of **electrical shock, electrocution or death**.



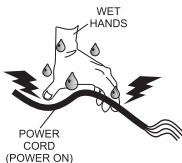
- Backfeed to a utility system can cause **electrocution** and/or property damage. **NEVER** connect the generator to a building's electrical system without a transfer switch or other approved device. All installations should be performed by a **licensed electrician** in accordance with all applicable laws and electrical codes. Failure to do so could result in electrical shock or burn, causing **serious injury or even death**.



## Power Cord/Cable Safety

### DANGER

- **NEVER** let power cords or cables **lay in water**.
- **NEVER stand in water** while AC power from the generator is being transferred to a load.
- **NEVER** use **damaged** or **worn** cables or cords when connecting equipment to generator. Inspect for cuts in the insulation.
- **NEVER** grab or touch a live power cord or cable with wet hands. The possibility exists of **electrical shock, electrocution or death**.



- Make sure power cables are securely connected to the generator's output receptacles. Incorrect connections may cause electrical shock and damage to the generator.

### NOTICE

- **ALWAYS** make certain that proper power or extension cord has been selected for the job. See Cable Selection Chart in this manual.

## Grounding Safety

### DANGER

- **ALWAYS** make sure that electrical circuits are properly grounded to a suitable earth ground (ground rod) per the National Electrical Code (NEC) and local codes before operating generator. **Severe injury or death by electrocution** can result from operating an ungrounded generator.
- **NEVER** use gas piping as an electrical ground.

## BATTERY SAFETY

### DANGER

- **DO NOT** drop the battery. There is a possibility that the battery will explode.
- **DO NOT** expose the battery to open flames, sparks, cigarettes, etc. The battery contains combustible gases and liquids. If these gases and liquids come into contact with a flame or spark, an explosion could occur.



### WARNING

- **ALWAYS** wear safety glasses when handling the battery to avoid eye irritation. The battery contains acids that can cause injury to the eyes and skin.
- Use well-insulated gloves when picking up the battery.
- **ALWAYS** keep the battery charged. If the battery is not charged, combustible gas will build up.
- **ALWAYS** recharge the battery in a well-ventilated environment to avoid the risk of a dangerous concentration of combustible gasses.
- If the battery liquid (dilute sulfuric acid) comes into contact with **clothing or skin**, rinse skin or clothing immediately with plenty of water.
- If the battery liquid (dilute sulfuric acid) comes into contact with **eyes**, rinse eyes immediately with plenty of water and contact the nearest doctor or hospital to seek medical attention.



### CAUTION

- **ALWAYS** disconnect the **NEGATIVE battery terminal** before performing service on the generator.
- **ALWAYS** keep battery cables in good working condition. Repair or replace all worn cables.

## ENVIRONMENTAL SAFETY

### NOTICE

- Dispose of hazardous waste properly. Examples of potentially hazardous waste are used motor oil, fuel and fuel filters.
- **DO NOT** use food or plastic containers to dispose of hazardous waste.
- **DO NOT** pour waste, oil or fuel directly onto the ground, down a drain or into any water source.



# DCA-125USJ — GENERATOR DECALS

The DCA-125USJ generator is equipped with a number of safety decals (Figures 2 and 3). These decals are provided for operator safety and maintenance information. The illustration below and on the preceding page show the decals as they appear on the machine. Should any of these decals become unreadable, replacements can be obtained from your dealer.

**OPERATING PROCEDURES**

**Manual Starting**

1. Check the engine oil, coolant, and fuel levels. Replenish if necessary.
2. Place all Generator Circuit Breakers in the "OFF" position and close all doors.
3. Check that the Voltage select switch (or the Voltage change-over board) is present at desired voltage.  
(In case of generator having multiple voltage ratings.)
4. Set the Engine speed switch to the "LOW" position.
5. Turn the Auto-Off/Reset-Manual switch to the "Manual" position to start the engine. If the engine fails to start in the specified number of attempts, the overcrank lamp will indicate and the Auto-Off/Reset-Manual switch must be returned to the "Off/Reset" position before proceeding.
6. When the engine is ready for starting during cold weather operating conditions, push the intake heater button for approximately 30 seconds. Start engine using the Auto-Off/Reset-Manual switch to the "Manual" position. As soon as the engine starts, release the button.
7. If the engine will does not start, utilize the water heater until water is warm. (If additional water heater is supplied.)
8. After starting, allow the engine to run for 1 or 2 minutes to warmup. At temperatures below freezing, this time period must be extended to 2 to 4 minutes.
9. When the engine starts, immediately check for abnormal noise, vibration, fluid leakage or any indication of a problem. Check the control panel gauges. If all is normal, let the engine remain at the "Low" position for a short time, depending on the ambient conditions, warm up.
10. After sufficient warmup time has elapsed, set the Engine speed switch to the "High" position and the unit is ready for operation.
11. Check the V<sub>OL</sub> load speed as shown in the table below.  
60Hz operation—Approx. 60.0Hz (1800rpm)
12. Adjust the Voltage Regulator to the specified voltage.

M35200010

P/N M3552000103

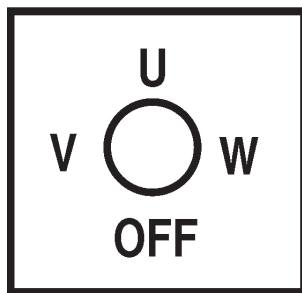
**SAFETY INSTRUCTIONS**

Improper operation of this machine can cause severe injury or death.

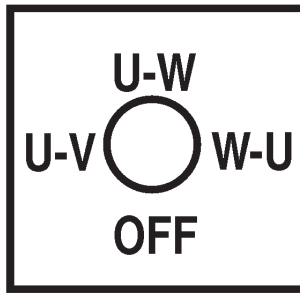
- Read the instruction manual carefully before operating or servicing. This machine should only be operated by a person with sufficient knowledge and skill to ensure safe operation. High voltage circuits are located inside the output terminal cover and control panel.
- Close the cover and control panel before operating. Moving parts and hot surfaces are contained within the enclosure.
- Close all doors and lock them before operating.

M92010030

P/N M9520100304



P/N M9520000104



P/N M9520000204



P/N M950000004



P/N M9510200002

**OVER CURRENT RELAY**

If it is Impossible to reset the CIRCUIT BREAKER, open the control panel and push the RESET BUTTON as below.

M92020010

P/N M9520200104



P/N M9500300104



P/N M9500300004




P/N M9500500004



P/N M9503000103


Figure 2. Generator Decals



|   |   |   |   |
|---|---|---|---|
|  | <b>⚠ WARNING</b>  | <b>⚠ WARNING</b>  | <b>⚠ WARNING</b>  |
|   | <b>ELECTRIC SHOCK HAZARD</b><br><ul style="list-style-type: none"> <li>Do not touch output terminals when this machine is operating.</li> <li>Turn power off before servicing.</li> </ul> | <b>ELECTRIC SHOCK HAZARD</b><br><ul style="list-style-type: none"> <li>Always complete the grounding path from the ground terminal on this genset to an external grounding source. See instruction manual for details.</li> </ul> | <ul style="list-style-type: none"> <li>Before connecting this generator to any building's electrical system, a licensed electrician must install an isolation (transfer) switch.</li> <li>Serious injury or death may result without this transfer switch.</li> </ul> |

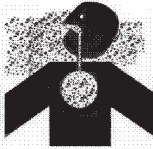
M9520100503

P/N M9520100503

|   |   |
|---|---|
|  | <b>⚠ WARNING</b>  |
|   | <b>HOT COOLANT</b> can cause severe burns.<br><ul style="list-style-type: none"> <li>Do not remove cap if radiator is hot.</li> </ul> |

M90310000

P/N M9503100004

|  |   |
|--|---|
|  | <b>⚠ WARNING</b>  |
|  | <b>ENGINE EXHAUST</b> can cause severe injury or death.<br><ul style="list-style-type: none"> <li>Use only in open, well ventilated areas or vent exhaust outside.</li> </ul> |

M90320000

P/N M9503200004

|                     |
|---------------------|
| <b>DANGER</b>       |
| <b>HIGH VOLTAGE</b> |


M9520100401

P/N M9520100404

|                              |
|------------------------------|
| <b>⚠ CAUTION</b>             |
| Stop engine before switching |

M9520100204

P/N M9520100204

|   |  |
|---|--|
|  | <b>⚠ CAUTION</b>   |
|   | <b>MOVING PARTS</b> can cause severe injury.<br><ul style="list-style-type: none"> <li>Do not operate with doors open.</li> <li>Stop engine before servicing.</li> </ul> |


M90300000

P/N M9503000004

|  |
|--|
| <b>NOTE</b>  |
| To use 50 amp receptacles, adjust the voltage selector switch to the single phase position and the main line circuit breaker to the on position. |


P/N M1500020

P/N M1550000204


|   |  |
|---|--|
|  | <b>⚠ CAUTION</b>   |
|   | <b>HOT PARTS</b> can burn skin.<br><ul style="list-style-type: none"> <li>Do not touch until the machine has sufficiently cooled.</li> </ul> |

M91010000

P/N M9510100004

|  |  |
|--|--|
|  | <b>⚠ WARNING</b>   |
|  | <b>ELECTRIC SHOCK HAZARD</b><br><ul style="list-style-type: none"> <li>Do not touch output terminals while this machine is operating.</li> <li>Turn power off before servicing.</li> </ul> |

P/N M9520100503

|   |  |
|---|--|
|  | <b>⚠ WARNING</b>   |
|   | <b>ELECTRIC SHOCK HAZARD</b><br><ul style="list-style-type: none"> <li>Do not touch internal wiring or connections while this machine is operating.</li> <li>Turn power off before servicing.</li> </ul> |

M92010000

P/N M9520100004

|   |
|---|
| <b>⚠ CAUTION</b>  |
| This machine stops and starts Automatically and without notice. |

P/N B15200010

P/N B15200010

Figure 3. Generator Decals (Cont.)

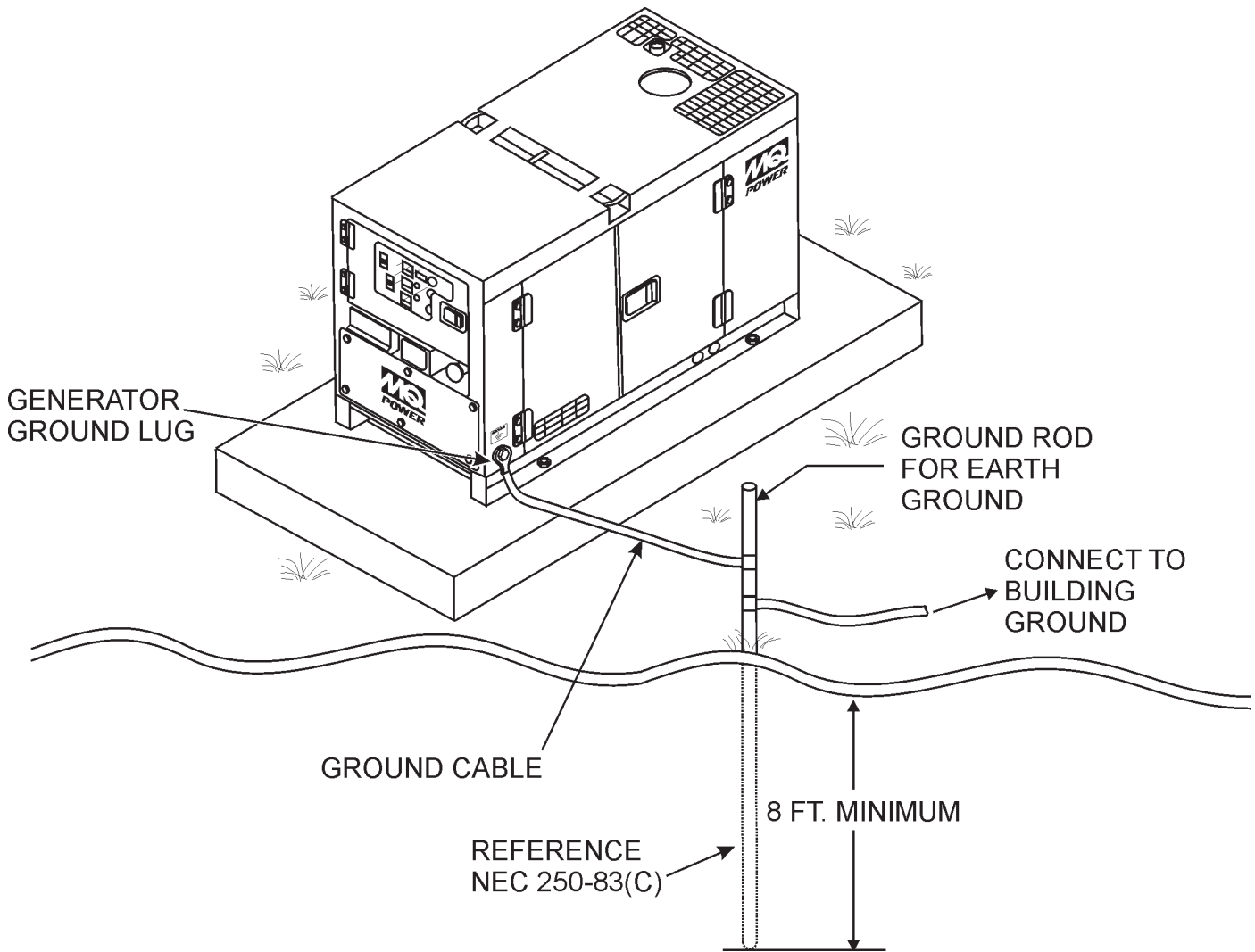


Figure 4. Typical Generator Grounding Application



## Outdoor Installation

Install the generator in a area that is free of debris, bystanders, and overhead obstructions. Make sure the generator is on secure level ground so that it cannot slide or shift around. Also install the generator in a manner so that the exhaust will not be discharged in the direction of nearby homes.

The installation site must be relatively free from moisture and dust. All electrical equipment should be protected from excessive moisture. Failure to do will result in deterioration of the insulation and will result in short circuits and grounding.

Foreign materials such as dust, sand, lint and abrasive materials have a tendency to cause excessive wear to engine and alternator parts.

### CAUTION - EXHAUST HAZARD

Pay close attention to ventilation when operating the generator inside tunnels and caves. The engine exhaust contains noxious elements. Engine exhaust must be routed to a ventilated area.

## Indoor Installation

Exhaust gases from diesel engines are extremely poisonous. Whenever an engine is installed indoors the exhaust fumes must be vented to the outside. The engine should be installed at least two feet from any outside wall. Using an exhaust pipe which is too long or too small can cause excessive back pressure which will cause the engine to heat excessively and possibly burn the valves.

## Mounting

The generator must be mounted on a solid foundation (such as concrete) and set firmly on the foundation to isolate vibration of the generator when it is running. The generator must set at least 6 inches above the floor or grade level (in accordance to NFPA 110, Chapter 5-4.1). **DO NOT** remove the metal skids on the bottom of the generator. They are to resist damage to the bottom of the generator and to maintain alignment.

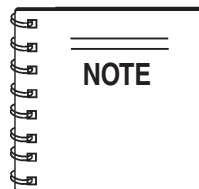
## Generator Grounding

To guard against electrical shock and possible damage to the equipment, it is important to provide a good **EARTH** ground.

Article 250 (Grounding) of the National Electrical Code (NEC) provides guide lines for proper grounding and specifies that the cable ground shall be connected to the grounding system of the building as close to the point of cable entry as practical.

NEC articles 250-64(b) and 250-66 set the following grounding requirements:

1. Use one of the following wire types to connect the generator to earth ground.
  - a. Copper - 10 AWG (5.3 mm<sup>2</sup>) or larger.
  - b. Aluminum - 8 AWG (8.4 mm<sup>2</sup>) or larger.
2. When grounding the generator (Figure 2) connect the ground cable between the lock washer and the nut on the generator and tighten the nut fully. Connect the other end of the ground cable to earth ground.
3. NEC article 250-52(c) specifies that the earth ground rod should be buried a minimum of 8 ft. into the ground.



When connecting the generator to any buildings electrical system **ALWAYS** consult with a licensed electrician.

## DCA-125USJ Series Familiarization

### Generator

The MQ Power Model DCA-125USJ is a 100 kW **generator** (Figure 5) that is designed as a high quality portable (requires a trailer for transport) power source for telecom sites, lighting facilities, power tools, submersible pumps and other industrial and construction machinery.

### Engine Operating Panel

The "Engine Operating Panel" is provided with the following:

- Tachometer
- Water Temperature Gauge
- Oil Pressure Gauge
- Charging Ammeter Gauge
- Fuel Level Gauge
- Pre-heat Lamp
- Panel Light/Panel Light Switch
- Auto ON/OFF Engine Controller (MPEC)
- Fuel Leak Detected Alarm Lamp

### Generator Control Panel

The "Generator Control Panel" is provided with the following:

- Frequency Meter (Hz)
- AC Ammeter (Amps)
- AC Voltmeter (Volts)
- Ammeter Change-Over Switch
- Voltmeter Change-Over Switch
- Voltage Regulator
- 3-Pole, 300 amp Main Circuit Breaker

### Control Box

The "Control Box", located behind the **Generator Control Panel**, is provided with the following:

- Automatic Voltage Regulator
- Current Transformer
- Over-Current Relay
- Voltage Rectifier
- Starter Relay
- Engine Controller (Computer Controlled)
- Voltage Selector Switch

### Output Terminal Panel

The "Output Terminal Panel" is provided with the following:

- Three 120/240V output receptacles (CS-6369), 50A
- Three auxiliary circuit breakers, 50A
- Two 120V output receptacles (GFCI), 20A
- Two GFCI circuit breakers, 20A
- Five output terminal lugs (3Ø power)
- Battery Charger (Optional)
- Water Heater (Optional)

### Open Delta Excitation System

The DCA-125USJ generator is equipped with the state of the art "**Open-Delta**" excitation system. The open delta system consist of an electrically independent winding wound among stationary windings of the AC output section.

There are four connections of the open delta A, B, C and D. During steady state loads, the power from the voltage regulator is supplied from the parallel connections of A to B, A to D, and C to D. These three phases of the voltage input to the voltage regulator are then rectified and are the excitation current for the exciter section.

When a heavy load, such as a motor starting or a short circuit occurs, the automatic voltage regulator (AVR) switches the configuration of the open delta to the series connection of B to C. This has the effect of adding the voltages of each phase to provide higher excitation to the exciter section and thus better voltage response during the application of heavy loads.

The connections of the AVR to the AC output windings are for sensing only. No power is required from these windings.

The open-delta design provides virtually unlimited excitation current, offering maximum motor starting capabilities. The excitation does not have a "**fixed ceiling**" and responds according the demands of the required load.

### Engine

The **DCA-125USJ** is powered by a 4 cycle, water cooled, direct injection, turbocharged **JOHN DEERE Model 6068TF275 Diesel Engine**. This engine is designed to meet every performance requirement for the generator. Reference Table 1 for engine specifications.

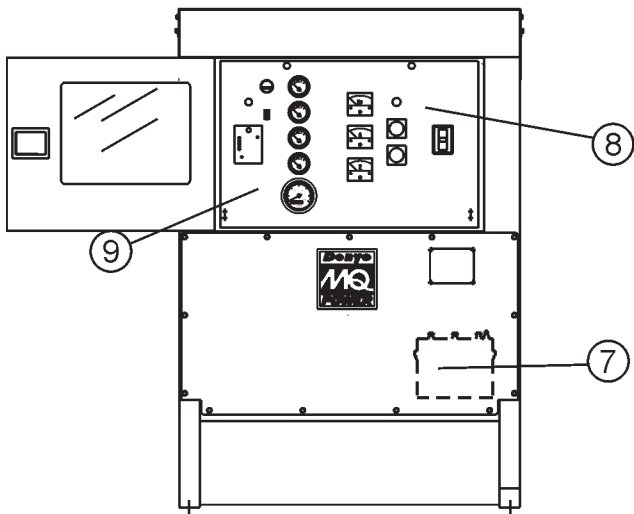
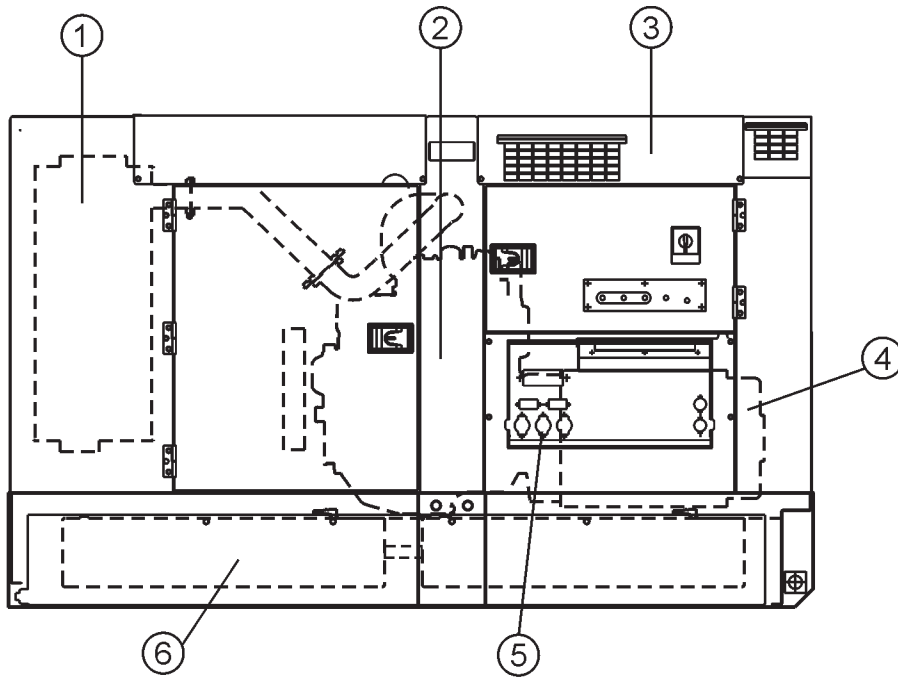
In keeping with MQ Power's policy of constantly improving its products, the specifications quoted herein are subject to change without prior notice.

### Electric Governor System

The electric governor system controls the RPMs of the engine. When the engine demand increases or decreases, the governor system regulates the frequency variation to  $\pm 25\%$ .

### Extension Cables

When electric power is to be provided to various tools or loads at some distance from the generator, extension cords are normally used. Cables should be sized to allow for distance in length and amperage so that the voltage drop between the generator and point of use (load) is held to a minimum. Use the cable selection chart (Table 5) as a guide for selecting proper extension cable size.

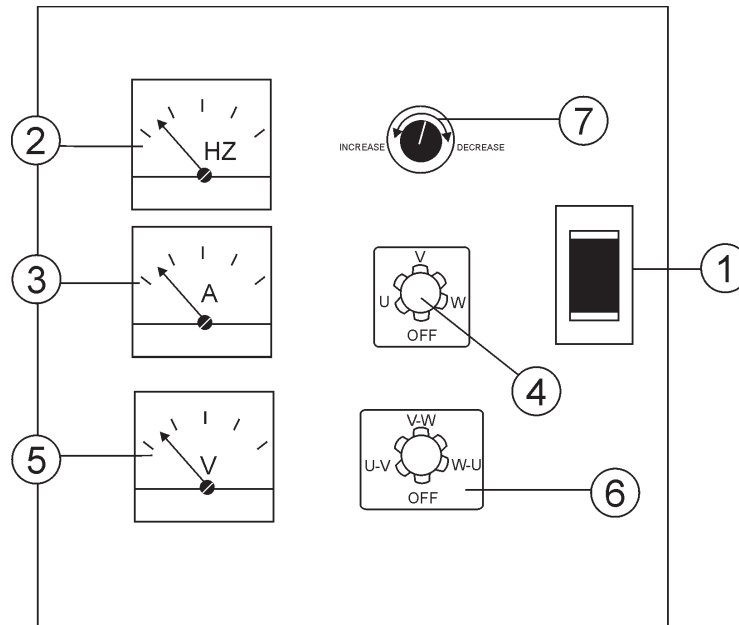


**Figure 5. Major Components**

**Table 3. Generator Major Components**

| ITEM NO. | DESCRIPTION                      |
|----------|----------------------------------|
| 1        | Muffler Assembly                 |
| 2        | Engine Assembly                  |
| 3        | Enclosure Assembly               |
| 4        | Generator Assembly               |
| 5        | Output Terminal Assembly         |
| 6        | Fuel Tank Assembly               |
| 7        | Battery Assembly                 |
| 8        | Generator Control Panel Assembly |
| 9        | Engine Operating Panel Assembly  |





**Figure 6. Generator Control Panel**

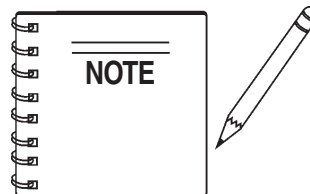
The definitions below describe the controls and functions of the DCA-125USJ **Generator Control Panel** (Figure 6).

1. **Main Circuit Breaker** – This three-pole, 300A main breaker is provided to protect the the **U,V, and W Output Terminal Lugs** from overload.
2. **Frequency Meter** – Indicates the output frequency in hertz (Hz). Normally 60 Hz.
3. **AC Ammeter** – Indicates the amount of current the load is drawing from the generator per leg selected by the ammeter phase-selector switch.
4. **Ammeter Change-Over Switch** – This switch allows the AC ammeter to indicate the current flowing to the load connected to any phase of the output terminals, or to be switched off. This switch does not effect the generator output in any fashion, it is for current reading only.
5. **AC Voltmeter** – Indicates the output voltage present at the **U,V, and W Output Terminal Lugs**.
6. **Voltmeter Change-Over Switch** – This switch allows the AC voltmeter to indicate phase to phase voltage between any two phases of the output terminals or to be switched off.
7. **Voltage Regulator Control** – Allows  $\pm 15\%$  manual adjustment of the generator's output voltage.

Located behind the generator control panel is the **Generator Control Box**. This box contains some of the necessary electronic components required to make the generator function.

The **Control Box** is equipped with the following major components:

- Over-Current Relay
- Voltage Rectifier (AVR)
- Starter Relay
- Current Transformer
- Voltage Selector Switch



Remember the **overcurrent relay** monitors the current flowing from the **U,V, and W Output Terminal Lugs** to the load.

In the event of a short circuit or over current condition, it will automatically trip the 60 amp main breaker.

To restore power to the **Output Terminal Panel**, press the **reset** button on the overcurrent relay and place the **main** circuit breaker in the **closed** position (**ON**).

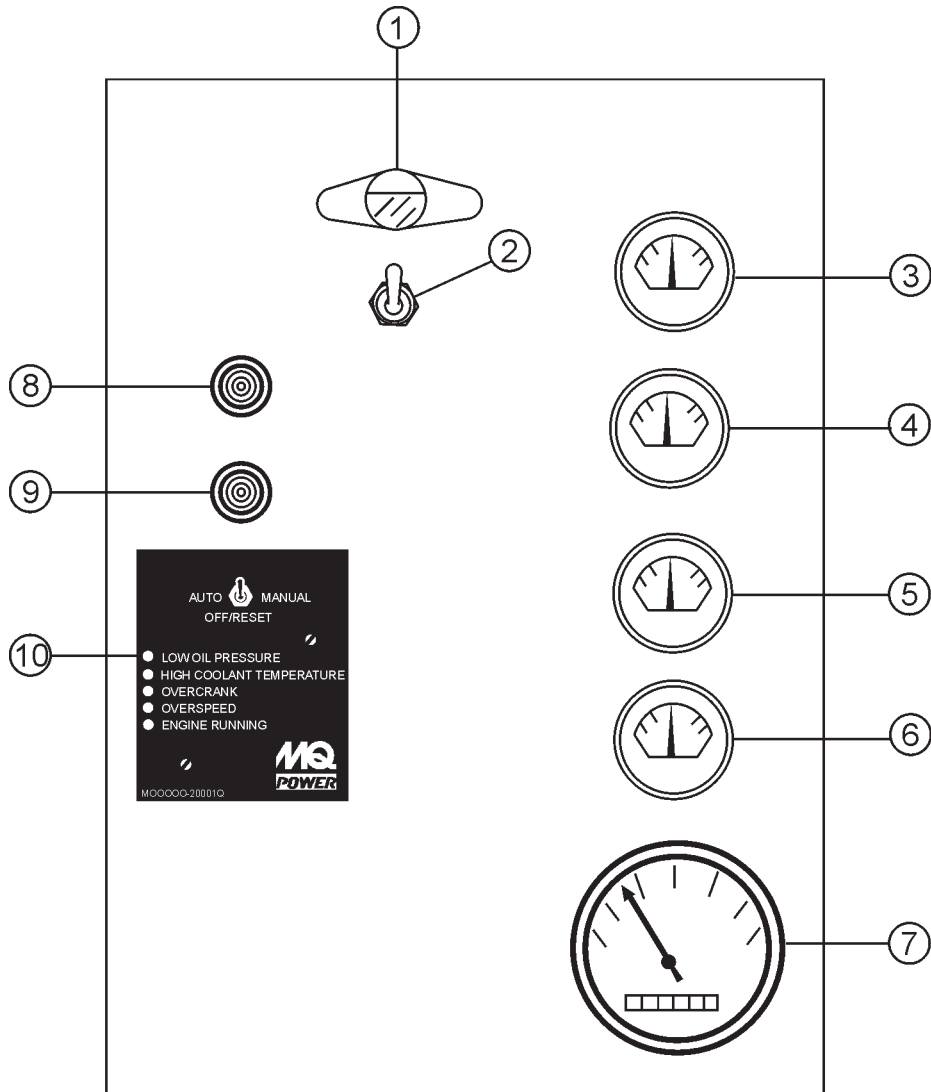
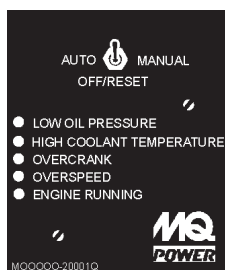


Figure 7. Engine Operating Panel

## DCA-125USJ — ENGINE OPERATING PANEL

The definitions below describe the controls and functions of the DCA-125USJ **Engine Operating Panel** (Figure 7).

1. **Panel Light** – Normally used in dark areas or at night time. When activated, panel lights will illuminate. When the generator is not in use be sure to turn the panel light switch to the **OFF** position.
2. **Panel Light Switch** – When activated will turn on control panel light.
3. **Oil Pressure Gauge** – During normal operation this gauge be should read between 35 to 65 psi. When starting the generator the oil pressure may read a little higher, but after the engine warms up the oil pressure should return to the correct pressure range.
4. **Water Temperature Gauge** – During normal operation this gauge be should read between 180° and 221°F.
5. **Charging Ammeter Gauge** – Indicates the current being supplied by the engine's alternator which provides current for generator's control circuits and battery charging system.
6. **Fuel Gauge** - Indicates amount of diesel fuel available.
7. **Tachometer** – Indicates engine speed in RPM's for 60 Hz operation. This meter should indicate 1800 RPM's when the rated load is applied. In addition a built in hour meter will record the number of operational hours that the generator has been in use.
8. **Pre-Heat Lamp** – As the engine cranks, this lamp will illuminate to indicate automatic preheating of the engine. When the lamp turns off, the engine has been preheated and will start automatically.
9. **Fuel Leak Detected Alarm Lamp** – This lamp will illuminate when a leak in the fuel tank containment enclosure is detected.
10. **Auto On/Off Engine Controller (MPEC) –**  
This controller has a vertical row of status LED's (inset), that when lit, indicate that an engine malfunction (fault) has been detected. When a fault has been detected the engine controller will evaluate the fault and all major faults will shutdown the generator.



During **cranking cycle**, The MPEC will attempt to crank the engine for 10 seconds before disengaging. If the engine does not engage (start) by the third attempt, the engine will be shutdown by the engine controller's **Over Crank Protection** mode. If the engine engages at a speed (RPM's) that is not safe, the controller will shutdown the engine by initializing the **Over Speed Protection** mode.

Also the engine controller will shut down the engine in the event of low oil pressure, high coolant temperature, low coolant level, and loss of magnetic pickup. These conditions can be observed by monitoring the **LED** status indicators on the front of the controller module.

**A. MPEC Control Switch** – This switch controls the running of the unit. If this switch is set to the **OFF/RESET** position, the unit will not run. When this switch is set to the **MANUAL** position, the generator will start immediately.

If the generator is to be connected to a building's AC power source via a transfer switch (isolation), place the switch in the **AUTO** position. In this position the generator will monitor the AC line output from the building's power source.

**B. Low Oil Pressure** – Indicates the engine pressure has fallen below 15 psi. The oil pressure is detected using variable resistive values from the oil pressure sending unit. This is considered a **major** fault.

**C. High Coolant Temperature** – Indicates the engine temperature has exceeded 239°F. The engine temperature is detected using variable resistive values from the temperature sending unit. This is considered a **major** fault.

**D. Overcrank Shutdown** – Indicates the unit has attempted to start a pre-programmed number of times, and has failed to start. The number of cycles and duration are programmable. It is pre-set at 3 cycles with a 10 second duration. This is considered a **major** fault.

**E. Overspeed Shutdown** – Indicates the engine is running at an unsafe speed. This is considered a **major** fault.

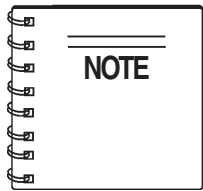
**F. Engine Running** – Indicates that engine is running at a safe operating speed.



# DCA-125USJ — OUTPUT TERMINAL PANEL FAMILIARIZATION

## Output Terminal Panel

The **Output Terminal Panel** (Figure 8) shown below is located on the right-hand side (left from control panel) of the generator. Lift up on the cover to gain access to receptacles and terminal lugs.



Terminal legs “O” and “Ground” are considered **bonded grounds**.

## Output Terminal Familiarization

The “**Output Terminal Panel**” (Figure 8) is provided with the following:

- Three (3) 120/240V output receptacles @ 50 amp
- Three (3) Circuit Breakers @ 50 amps
- Two (2) 120V GFCI receptacles @ 20 amp
- Two (2) GFCI Circuit Breakers @ 20 amps
- Five (5) Output Terminal Lugs ( U, V, W, O, Ground)

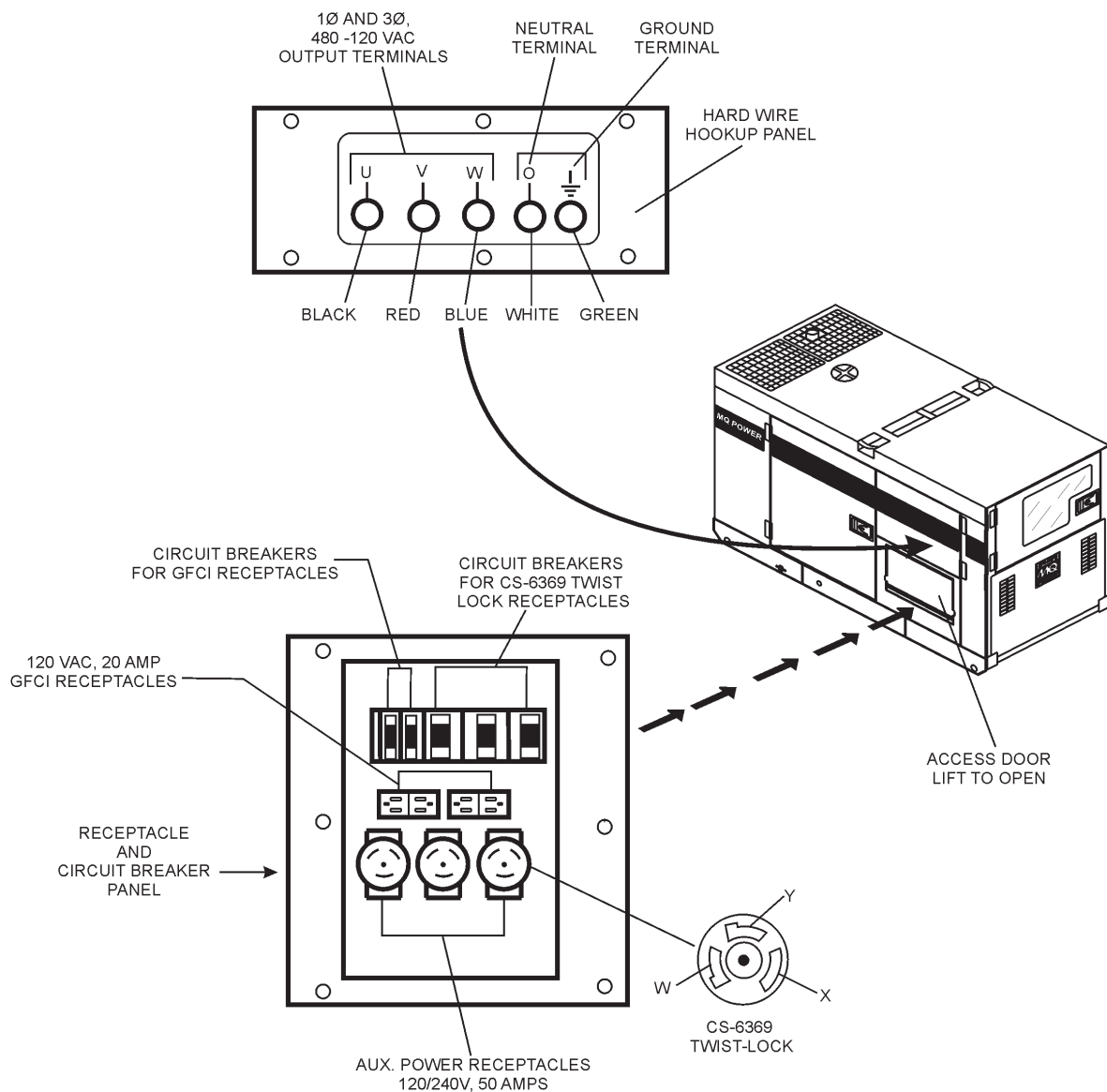


Figure 8. Output Terminal Panel



# DCA-125USJ — OUTPUT TERMINAL PANEL FAMILIARIZATION

## 120 VAC GFCI Receptacles

There are two 120 VAC, 20 amp GFCI (Duplex Nema 5-20R) receptacles provided on the output terminal panel. These receptacles can be accessed in **any voltage selector switch** position. Each receptacle is protected by a 20 amp circuit breaker. These breakers are located directly above the GFCI receptacles. Remember the load output (current) of both GFCI receptacles is dependent on the load requirements of the UVWO terminals.

Pressing the **reset** button resets the GFCI receptacle after being tripped. Pressing the "**Test Button**" (See Figure 9) in the center of the receptacle will check the GFCI function. Both receptacles should be tested at least once a month.

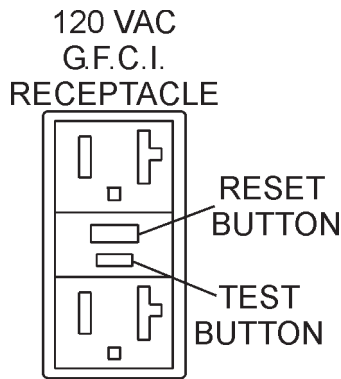


Figure 9. G.F.C.I. Receptacle

## Twist Lock Dual Voltage 120/240 VAC Receptacles

There are three 120/240V, 50 amp auxilliary twist-lock (CS-6369) receptacles (Figure 10) provided on the output terminal panel. These receptacles can **only** be accessed when the voltage selector switch is placed in the **single-phase 240/120 position**.

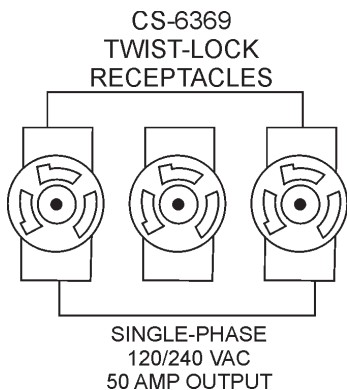


Figure 10. 120/240V Twist-Lock Auxiliary Receptacles

Each auxilliary receptacle is protected by a 50 amp circuit breaker. These breakers are located directly above the GFCI receptacles. Remember the load output (current) on all three receptacles is dependent on the load requirements of the **Output Terminal Lugs**.

Turn the **voltage regulator control knob** (Figure 11) on the control panel to obtain the desired voltage. Turning the knob clockwise will **increase** the voltage, turning the knob counter-clockwise will **decrease** the voltage.



Figure 11. Voltage Regulator Control Knob

## Removing the Plastic Face Plate (Hard Wire Hookup Panel)

The **Output Terminal Lugs** are protected by a plastic face plate cover (Figure 12). Un-screw the securing bolts and lift the plastic terminal cover to gain access to the terminal enclosure.

After the load wires have been securely attached to the terminal lugs, reinstall the plastic face plate.

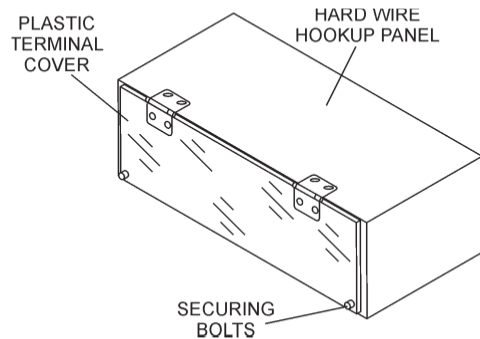


Figure 12. Plastic Face Plate (Output Terminal Lugs)

# DCA-125USJ — OUTPUT TERMINAL PANEL FAMILIARIZATION

## Connecting Loads

Loads can be connected to the generator by the **Output Terminal Lugs** or the convenience receptacles. (See Figure 13). Make sure to read the operation manual before attempting to connect a load to the generator.

To protect the output terminals from overload, a 3-pole, 300A **main** circuit breaker is provided. Make sure to switch **ALL** circuit breakers to the **OFF** position prior to starting the engine.

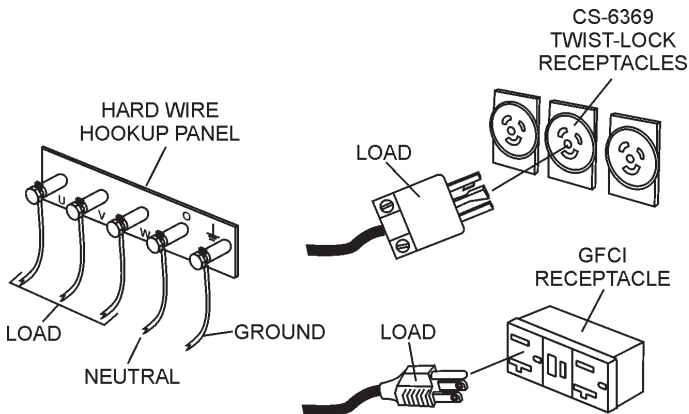


Figure 13. Connecting Loads

## Over Current Relay

An **over current relay** (Figure 14) is connected to the main circuit breaker. In the event of an overload, both the circuit breaker and the over current relay may trip. If the circuit breaker can not be reset, the **reset button** on the over current relay must be pressed. The over current relay is located in the control box.

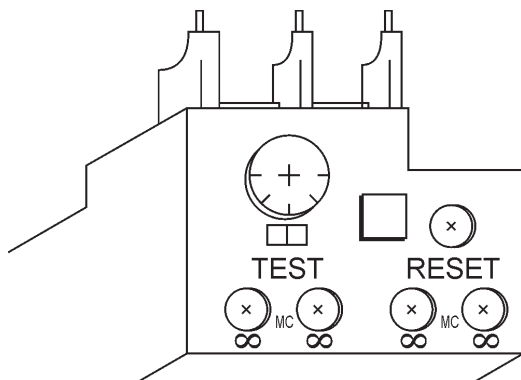


Figure 14. Over Current Relay

## Blower Fan

This unit has an intake fan located at the rear of the machine to draw outside air into the cabinet to cool the engine. The fan has a 10 amp AC fuse located beneath the **Voltage Selector Switch** (Figure 15).

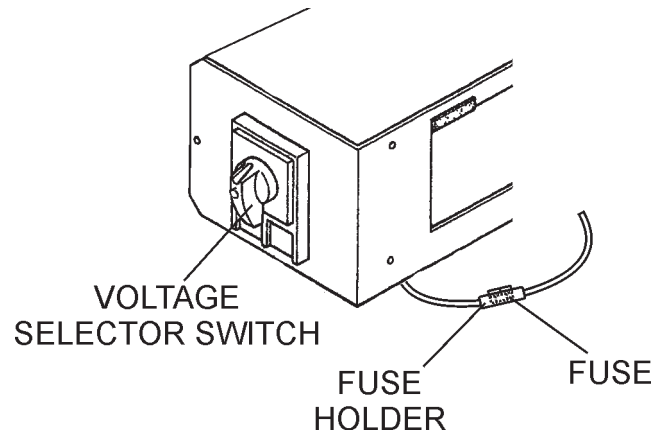


Figure 15. Blower Fan Fuse

### CAUTION - ELECTRICAL SHOCK HAZARD

The blower fan fuse has current running through it any time the engine is operating. This fuse **IS NOT** connected to the main circuit breaker of the generator. Attempting to replace the fuse with the engine and/or generator operating could result in **electrocution** and **severe bodily harm**. **ALWAYS** turn the unit completely off before attempting to replace or handle the fuse.

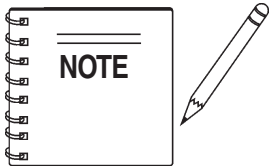


# DCA-125USJ — LOAD APPLICATION

## Single Phase Load

Always be sure to check the nameplate on the generator and equipment to insure the wattage, amperage, frequency, and voltage requirements are satisfactorily supplied by the generator for operating the equipment.

Generally, the wattage listed on the nameplate of the equipment is its rated output. Equipment may require 130—150% more wattage than the rating on the nameplate, as the wattage is influenced by the efficiency, power factor and starting system of the equipment.



If wattage is not given on the equipment's name plate, approximate wattage may be determined by multiplying nameplate voltage by the nameplate amperage.

$$\text{WATTS} = \text{VOLTAGE} \times \text{AMPERAGE}$$

The power factor of this generator is 0.8. See Table 4 below when connecting loads.

| Type Of Load                                | Power Factor |
|---|--------------|
| Single-phase induction motors               | 0.4 - 0.75   |
| Electric heaters, incandescent lamps        | 1.0          |
| Fluorescent lamps, mercury lamps            | 0.4 - 0.9    |
| Electronic devices, communication equipment | 1.0          |
| Common power tools                          | 0.8          |

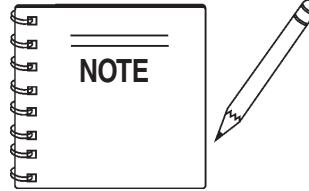
| Current in Amperes | Load In Watts |              | Maximum Allowable Cable Length |          |          |          |
|--------------------|---------------|--------------|--------------------------------|----------|----------|----------|
|                    | At 120 Volts  | At 240 Volts | #10 Wire                       | #12 Wire | #14 Wire | #16 Wire |
| 2.5                | 300           | 600          | 1000 ft.                       | 600 ft.  | 375 ft.  | 250 ft.  |
| 5                  | 600           | 1200         | 500 ft.                        | 300 ft.  | 200 ft.  | 125 ft.  |
| 7.5                | 900           | 1800         | 350 ft.                        | 200 ft.  | 125 ft.  | 100 ft.  |
| 10                 | 1200          | 2400         | 250 ft.                        | 150 ft.  | 100 ft.  |          |
| 15                 | 1800          | 3600         | 150 ft.                        | 100 ft.  | 65 ft.   |          |
| 20                 | 2400          | 4800         | 125 ft.                        | 75 ft.   | 50 ft.   |          |

CAUTION: Equipment damage can result from low voltage.

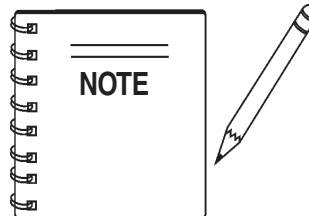
## Three Phase Load

When calculating the power requirements for 3-phase power use the following equation:

$$\text{KVA} = \frac{\text{VOLTAGE} \times \text{AMPERAGE} \times 1.732}{1000}$$



If 3Ø load (kVA) is not given on the equipment nameplate, approximate 3Ø load output may be determined by multiplying voltage by amperage by 1.732.



Motors and motor-driven equipment draw much greater current for starting than during operation.

An inadequate size connecting cable which cannot carry the required load can cause a voltage drop which can burn out the appliance or tool and overheat the cable. See Table 5.

- When connecting a resistance load such as an incandescent lamp or electric heater, a capacity of up to the generating set's rated output (kW) can be used.
- When connecting a fluorescent or mercury lamp, a capacity of up to the generating set's rated output (kW) multiplied by 0.6 can be used.
- When connecting an electric drill or other power tools, pay close attention to the required starting current capacity.

When connecting ordinary power tools, a capacity of up to the generating set's rated output (kW) multiplied by 0.8 can be used.

### DANGER - ELECTRICAL SYSTEM HAZARDS

Before connecting this generator to any building's electrical system, a **licensed electrician** must install an **isolation (transfer) switch**. Serious damage to the building's electrical system may occur without this transfer switch.

# DCA-125USJ — GENERATOR OUTPUTS

## Voltage Selector Switch

The **voltage selector** switch (Figure 16) is located above the output terminal panel's **Hard Wire Hook-up Panel**. It has been provided for ease of voltage selection.

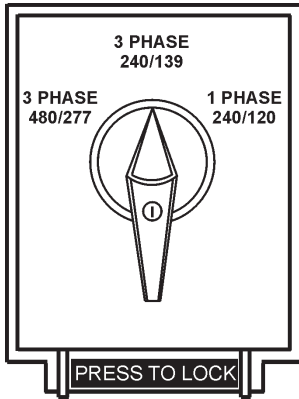


Figure 16. Voltage Selector Switch

## Voltage Selector Switch Locking Button

The voltage selector switch has a locking button to protect the generator and load from being switched while the engine is running. To lock the voltage selector switch, **press** and **hold** the **red button** located at the bottom of the switch.

### **!** CAUTION - VOLTAGE SELECTOR SWITCH

**NEVER** change the position of the **voltage selector switch** while the engine is running. **ALWAYS** place circuit breaker in the open position before selecting voltage.

## Generator Output Voltages

A wide range of voltages are available to supply voltage for many different applications. Voltages are selected by using the **voltage selector** switch (Figure 15). To obtain some of the voltages as listed in Table 6 (see below) will require a fine adjustment using the **voltage regulator (VR) control knob** located on the control panel.

Table 6. Voltages Available

|                           | 208V | 220V | 240V | 416V | 440V | 480V |
|---------------------------|------|------|------|------|------|------|
| Three Phase (Switchable)  |      |      |      |      |      |      |
| Single Phase (Switchable) | 120V | 127V | 139V | 240V | 254V | 277V |

## Generator Amperage

Table 7 describes the generator's current output capability for both 1Ø-phase and 3Ø phase applications.

Table 7. Generator Ampere Ratings

| DCA-125USJ           | kW  | kVA | 120V     | 208V | 240V | 480V |
|----------------------|-----|-----|----------|------|------|------|
| Single Phase         | 72  | N/A | 301A x 2 | N/A  | 301A | N/A  |
| Three Phase*         | 100 | 125 | N/A      | 347A | 301A | 150A |
| * Power Factor = 0.8 |     |     |          |      |      |      |

## GFCI Receptacle Load Capability

The load capability of the GFCI receptacles is directly related to the voltage being supplied at either the output terminals or the 3 twist lock auxiliary receptacles.

Tables 8 and 9 show what amount of current is available at the GFCI receptacles when the output terminals and twist lock receptacles are in use. Be careful that your load does not to exceed the available current capability at the receptacles.

Table 8. 1Ø GFCI Receptacle Load Capability

| KW in Use<br>Twist-Lock (CS6369) | Available Load<br>Current (Amps) |
|----------------------------------|----------------------------------|
| 1Ø 240/120V                      | GFCI Duplex NEMA<br>5-20R 120V   |
| 72                               | 0                                |
| 70.8                             | 5 amps per receptacle            |
| 69.6                             | 10 amps per receptacle           |
| 68.4                             | 15 amps per receptacle           |
| 67.2                             | 20 amps per receptacle           |

Table 9. 3Ø GFCI Receptacle Load Capability

| KVA in Use<br>(UVWO Terminals) | Available Load<br>Current (Amps) |
|--------------------------------|----------------------------------|
| 3Ø 240/480V                    | GFCI Duplex NEMA<br>5-20R 120V   |
| 125                            | 0                                |
| 121                            | 5 amps per receptacle            |
| 117                            | 10 amps per receptacle           |
| 113                            | 15 amps per receptacle           |
| 108                            | 20 amps per receptacle           |

## How to Read the Output Terminal Gauges.

The gauges and selector switches on the control panel **DO NOT** effect the generator output. They are provided to help observe how much power is being supplied at the **Output terminals lugs**.

Before taking a reading off either gauge, set the **Voltage Selector Switch** (Figure 17) to the position which produces the required voltage (For example, for 3Ø 240V, choose the center 3Ø 240/139V position on the volt- selector switch.)

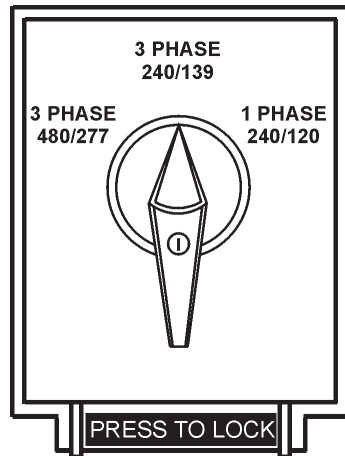
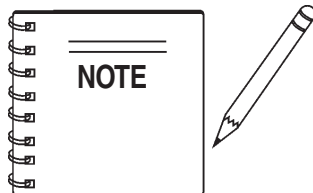


Figure 17. Voltage Selector Switch 240/139V Three Phase Position



For 3Ø 208V/1Ø,120V, place the Voltage Selector Switch in the 3 Phase 340/139 position.

## Reading Amperage

To determine the amperage at a terminal lug, set the **AC Ammeter Change-Over Switch** to the appropriate setting (Figure 20) to activate the **AC Ammeter Gauge** (Figure 21) and read the available amperage at the terminal lug.

For example, to measure the amperage at the U terminal lug, set the **AC Ammeter Change-Over Switch** to U and read the **AC Ammeter Gauge**.

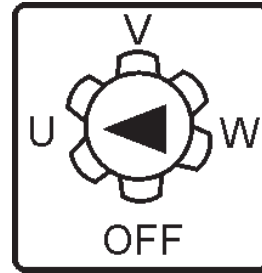


Figure 20. AC Ammeter Change-Over Switch

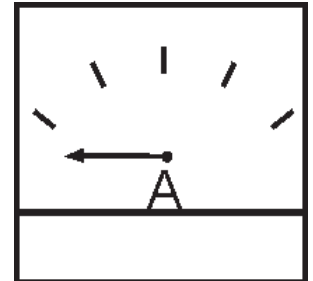
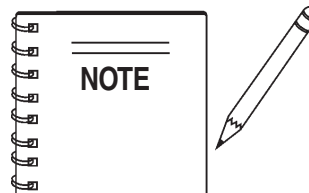


Figure 21. AC Ammeter (Amp reading on U lug)



The **ammeter** gauge will only show a reading when the **Output Terminal Lugs** are connected to a load and in use.

## Reading Voltage

To determine the voltage between two terminal lugs, set the **AC Voltmeter Change-Over Switch** to the appropriate setting (Figure 18) to activate the **AC Voltmeter Gauge** (Figure 19) and read the available voltage between the two lugs.

For example, to measure the voltage between the W and U terminal lugs, set the **AC Voltmeter Change-Over Switch** to W-U and read the **AC Voltmeter Gauge**.

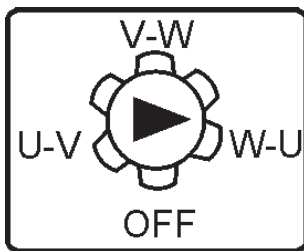


Figure 18. AC Voltmeter Change-Over Switch

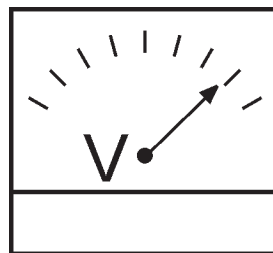


Figure 19. AC Voltmeter Gauge (Volt reading on W-U Lug)

# DCA-125USJ — OUTPUT TERMINAL PANEL CONNECTIONS

## UVWO Terminal Output Voltages

Various output voltages can be obtained using the **Output Terminal Lugs**. The voltages at the terminals are dependent on the position of the **Voltage Selector Switch** and the adjustment of the **Voltage Regulator Control Knob**.

Remember the voltage selector switch determines the **range** of the output voltage. The voltage regulator (VR) allows the user to increase or decrease the selected voltage.

## 3Ø 240/139V Output Terminal Lug Voltages

1. Place the voltage selector switch in the 3Ø 240/139 position as shown in Figure 22.

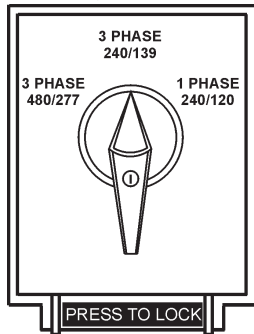


Figure 22. Voltage Selector Switch 240/139V Three-Phase Position

2. Connect the load wires to the **Output Terminal Lugs** as shown in Figure 23.

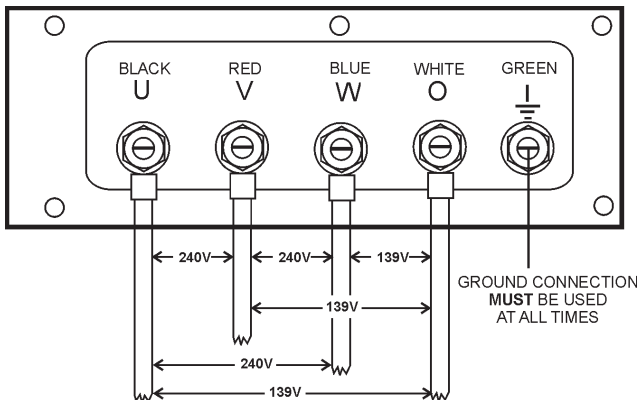


Figure 23. Output Terminal Lugs 240/139V Three Phase Connections

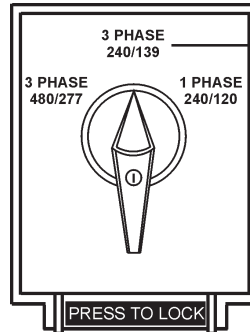
3. Turn the voltage regulator knob (Figure 24) clockwise to increase voltage output, turn counterclockwise to decrease voltage output.



Figure 24. Voltage Regulator Knob (139V/240V)

## 3Ø 208V/1Ø120V Output Terminal Lug Voltages

1. Place the voltage selector switch in the 3Ø 240/139 position as shown in Figure 25.



Use this position for 3Ø-208 or 1Ø120V.

Figure 25. Voltage Selector Switch 3Ø-208V/1Ø-120V Three-Phase Position

2. Connect the load wires to the **Output Terminal Lugs** as shown in Figure 26.

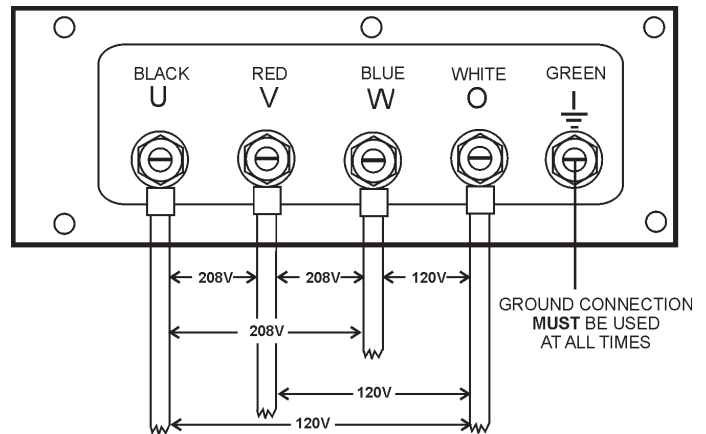
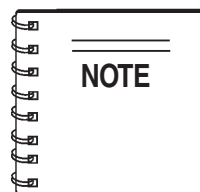


Figure 26. Output Terminal Lugs 3Ø-208V/120V Connections

3. Turn the voltage regulator knob (Figure 24) clockwise to increase voltage output, turn counterclockwise to decrease voltage output.



To achieve a 3Ø 208V output the voltage selector switch must be in the 3Ø-240/139 position and the voltage regulator must be adjusted to 208V.



# DCA-125USJ — OUTPUT TERMINAL PANEL CONNECTIONS

## 3Ø 480/277 Output Terminal Lug Voltages

1. Place the voltage selector switch in the 3Ø 480/277 position as shown in Figure 27.

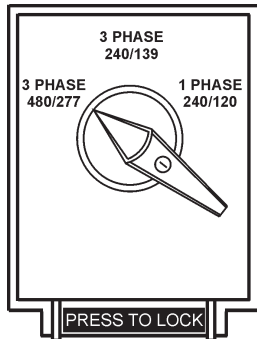


Figure 27. Voltage Selector Switch 480/277V Three-Phase Position

2. Connect the load wires to the **Output Terminal Lugs** as shown in Figure 28.

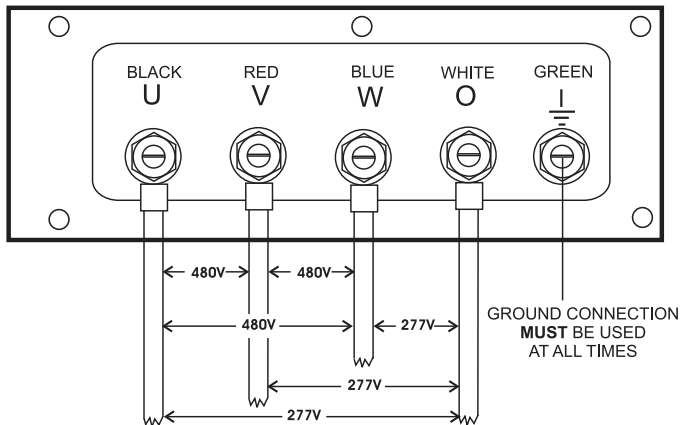


Figure 28. UVW Terminal Lugs 480/277V Three Phase Connections

3. Turn the voltage regulator knob (Figure 24) clockwise to increase voltage output, turn counterclockwise to decrease voltage output.

## 1Ø 240V/120V Output Terminal Lug Voltages

1. Place the voltage selector switch in the 1Ø 240/120 position as shown in Figure 29.

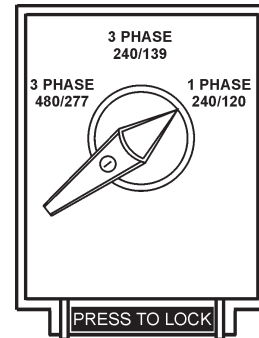


Figure 29. Voltage Selector Switch 240/120V Single-Phase Position

2. Connect the load wires to the **Output Terminal Lugs** as shown in Figure 30.

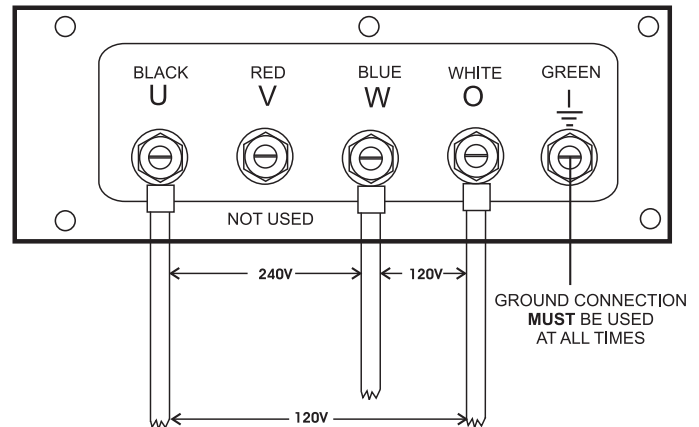


Figure 30. UVW Terminal Lugs 1Ø-240V/120V Connections

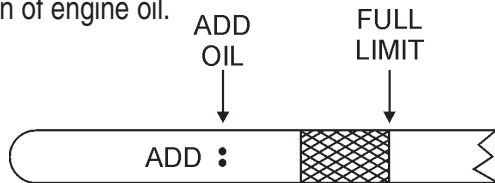
3. Turn the voltage regulator knob (Figure 24) clockwise to increase voltage output, turn counterclockwise to decrease voltage output.

## Circuit Breakers

To protect the generator from an overload, a 3-pole, 110 amp, **main** circuit breaker is provided to protect the **U, V, and W Output Terminals** from overload. In addition two single-pole, 20 amp **GFCI** circuit breakers are provided to protect the GFCI receptacles from overload. Three 50 amp **load** circuit breakers have also been provided to protect the auxiliary receptacles from overload. Make sure to switch **ALL** circuit breakers to the **OFF** position prior to starting the engine.

## Lubrication Oil

Fill the engine crankcase with lubricating oil through the filler hole, but **DO NOT** overfill. Make sure the generator is level. and verify that the oil level is maintained between the two notches (Figure 31) on the dipstick. See Table 10 for proper selection of engine oil.



**Figure 31. Engine Oil Dipstick**

When checking the engine oil, be sure to check if the oil is clean. If the oil is not clean, drain the oil by removing the oil drain plug, and refill with the specified amount of oil as outlined in the **John Deere Engine Owner's Manual**. Oil should be warm before draining.

Other types of motor oils may be substituted if they meet the following requirements:

- API Service Classification CC/SC
- API Service Classification CC/SD
- API Service Classification CC/SE
- API Service Classification CC/SF

**Table 10. Recommended Motor Oil**

| °F  |     | °C |  | OIL: SAE   |        |
|-----|-----|----|--|------------|--------|
| 122 | 50  |    |  | 10W/40     |        |
| 104 | 40  |    |  | 10W/40     | 30     |
| 86  | 30  |    |  | 10W/40     | 15W/30 |
| 68  | 20  |    |  | 10W/40     | 10W/30 |
| 50  | 10  |    |  | 10W/40     | 10W    |
| 32  | 0   |    |  | 10W/40     | 20W/40 |
| -14 | -10 |    |  | ARCTIC OIL | 5W/30  |
| -4  | -20 |    |  | ARCTIC OIL |        |
| -22 | -30 |    |  | ARCTIC OIL |        |
| -40 | -40 |    |  | ARCTIC OIL |        |

## Fuel Check

### **! DANGER - EXPLOSION/FIRE HAZARDS**

Fuel spillage on a **hot** engine can cause a **fire** or **explosion**. If fuel spillage occurs, wipe up the spilled fuel completely to prevent fire hazards. **NEVER** smoke around or near the generator.



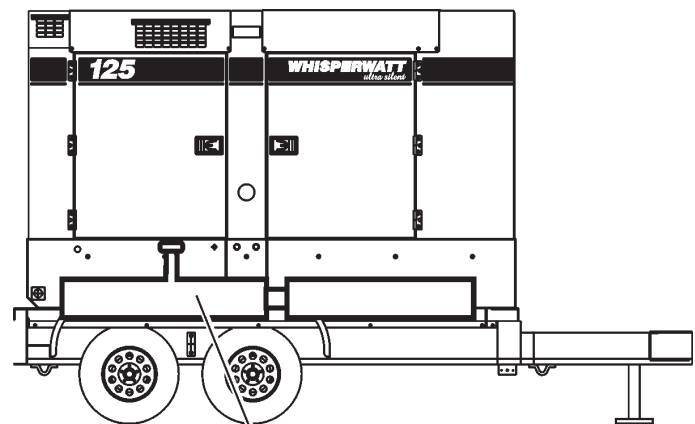
## Refilling the Fuel System

### **! CAUTION - REFUELING THE GENERATOR**

**ONLY** properly trained personnel who have read and understand this section should refill the fuel tank system.

The generator unit has an internal fuel tank located at the bottom of the cabinet (Figure 32). **ALWAYS** fill the fuel tank with clean and fresh **#2 diesel fuel**. **DO NOT** fill the fuel tanks beyond their capacities.

Pay attention to the fuel tank capacity when replenishing fuel. The fuel tank cap must be closed tightly after filling. Handle fuel in a safety container. If the container does not have a spout, use a funnel. Wipe up any spilled fuel immediately.



Generator Internal Fuel Tank

**Figure 32. Internal Fuel Tank System**



## Refueling Procedure:

### **! WARNING - RESPIRATORY HAZARDS**

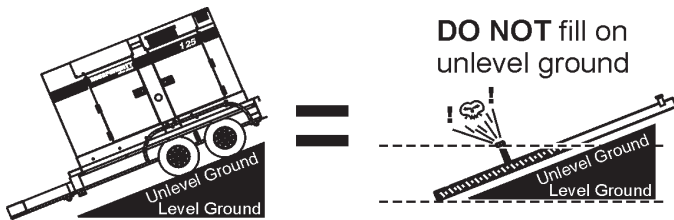
**Diesel fuel** and its vapors are dangerous to your health and the surrounding environment. Avoid skin contact and/or inhaling fumes.



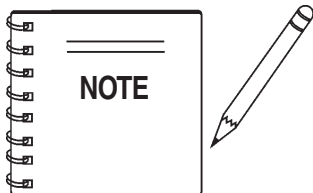
1. **Level Tanks** – Make sure fuel cells are level with the ground. Failure to do so will cause fuel to spill from the tank before reaching full capacity (Figure 32).

### **! CAUTION - REFUELING THE GENERATOR**

**ALWAYS** place trailer on firm level ground before refueling to prevent spilling and maximize the amount of fuel that can be pumped into the tank.

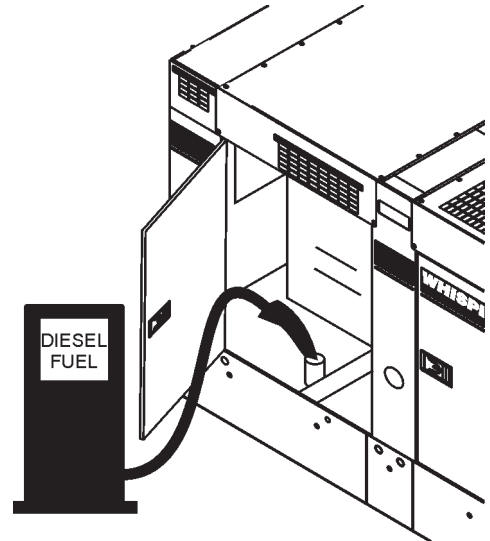


**Figure 33. Only Fill on Level Ground**



**ONLY!** use #2 diesel fuel when refueling.

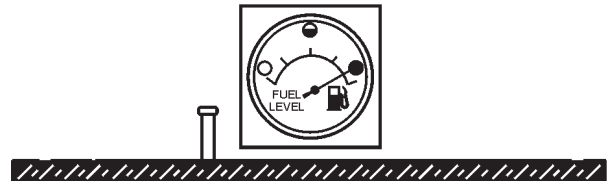
2. Open cabinet doors on the “right side” of the generator (from generator control panel position). Remove fuel cap and fill tank (Figure 34).



**Figure 34. Fueling the Generator**

3. **NEVER overfill fuel tank** – It is important to read the fuel gauge when filling trailer fuel tank. **DO NOT** wait for fuel to rise in filler neck (Figure 35).

FUEL GAUGE LOCATED ON CONTROL PANEL



**Figure 35. Full Fuel Tank**

### **! CAUTION - REFUELING THE GENERATOR**

**DO NOT OVER-FILL** fuel system. Leave room for fuel expansion. Fuel expands when heated (Figure 36).




**Figure 36. Fuel Expansion**

## Coolant (John Deere Antifreeze/Summer Coolant/Water)

John Deere recommends John Deere Antifreeze/Summer Coolant for use in thier engines, which can be purchased in concentrate (and mixed with 50% demineralized water) or pre-diluted. See the **John Deere Engine Owner's Manual** for further details.

**! WARNING - BURN HAZARDS**

If adding coolant/antifreeze mix to the radiator, **DO NOT** remove the radiator cap until the unit has completely cooled. The possibility of **hot!** coolant exists which can cause severe burns.



If adding coolant/antifreeze mix to the radiator, **DO NOT** remove the radiator cap until the unit has completely cooled. The possibility of **hot!** coolant exists which can cause severe burns.

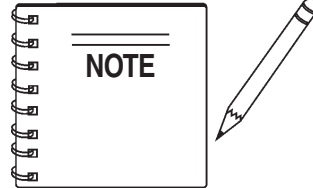
Day-to-day addition of coolant is done from the recovery tank. When adding coolant to the radiator, **DO NOT** remove the radiator cap until the unit has completely cooled. See Table 11 for engine, radiator, and recovery tank coolant capacities. Make sure the coolant level in the recovery tank is always between the "H" and the "L" markings.

| Table 11. Coolant Capacity |                        |
|----------------------------|------------------------|
| Engine and Radiator        | 4.4 Gal. (16.8 liters) |
| Reserve Tank               | 2 Quarts (1.9 liters)  |

## Operation Freezing Weather

When operating in freezing weather, be certain the proper amount of antifreeze (Table 12) has been added.

| Table 12. Anti-Freeze Operating Temperatures |                |     |
|--|----------------|-----|
| Vol % Anti-Freeze                            | Freezing Point |     |
|  | °C             | °F  |
| 50   | -37            | -34 |



When the antifreeze is mixed with water, the antifreeze mixing ratio **must be** less than 50%.

## Cleaning the Radiator

The engine may overheat if the radiator fins become overloaded with dust or debris. Periodically clean the radiator fins with compressed air. Cleaning inside the machine is dangerous, so clean only with the engine turned off and the **negative** battery terminal disconnected.

## Air Cleaner

Periodic cleaning/replacement is necessary. Inspect it in accordance with the **John Deere Engine Owner's Manual**.

## Fan Belt Tension

A slack fan belt may contribute to overheating, or to insufficient charging of the battery. Inspect the fan belt for damage and wear and adjust it in accordance with the **John Deere Engine Owner's Manual**.

The fan belt tension is proper if the fan belt bends 10 to 15 mm (Figure 37) when depressed with the thumb as shown below.

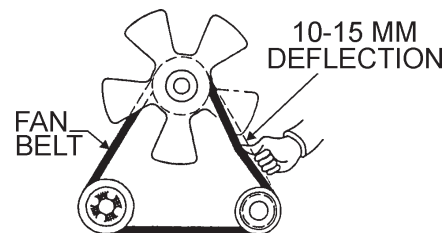
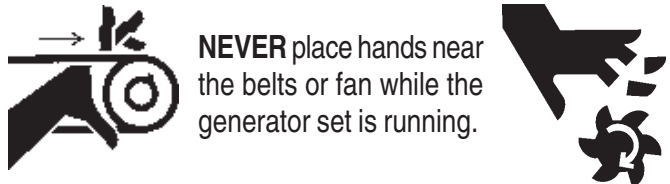


Figure 37. Fan Belt Tension

**! CAUTION - ROTATING PARTS**

**NEVER** place hands near the belts or fan while the generator set is running.



## Battery

This unit is of negative ground **DO NOT** connect in reverse. Always maintain battery fluid level between the specified marks. Battery life will be shortened, if the fluid level are not properly maintained. Add only distilled water when replenishment is necessary.

**DO NOT** over fill. Check to see whether the battery cables are loose. Poor contact may result in poor starting or malfunctions. **Always** keep the terminals firmly tightened. Coating the terminals with an approved battery terminal treatment compound. Replace battery with only recommended type battery. The battery type used in this generator is BCI Group 27.

The battery is sufficiently charged if the specific gravity of the battery fluid is 1.28 (at 68° F). If the specific gravity should fall to 1.245 or lower, it indicates that the battery is dead and needs to be recharged or replaced.

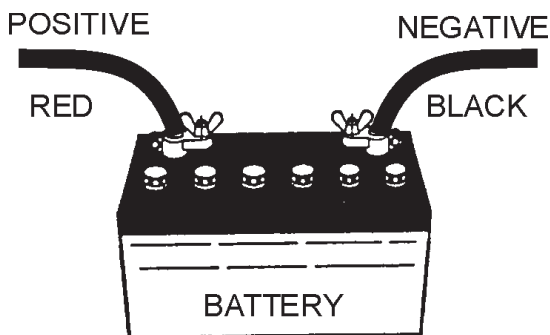
Before charging the battery with an external electric source, be sure to disconnect the battery cables.

### Battery Cable Installation

**ALWAYS** be sure the battery cables (Figure 38) are properly connected to the battery terminals as shown below. The **RED** cable is connected to the positive terminal of the battery, and the **BLACK** cable is connected to the negative terminal of the battery.

**! CAUTION - BATTERY SERVICING SAFETY**

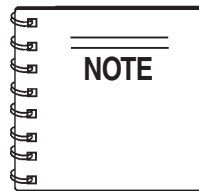
**ALWAYS** disconnect the negative terminal **FIRST** and reconnect negative terminal **LAST**.



**Figure 38. Battery Connections**

When connecting battery do the following:

1. **NEVER** connect the battery cables to the battery terminals when the **MPEC Control Switch** is in either the **MANUAL** position. **ALWAYS** make sure that the **MPEC Control Switch** is in the **OFF/RESET** position when connecting the battery.
2. Place a small amount of battery terminal treatment compound around both battery terminals. This will ensure a good connection and will help prevent corrosion around the battery terminals.



If the battery cable is connected incorrectly, electrical damage to the generator will occur. Pay close attention to the polarity of the battery when connecting the battery.

**! CAUTION - BATTERY SERVICING SAFETY**

Inadequate battery connections may cause poor starting of the generator, and create other malfunctions.

## Alternator

The polarity of the alternator is negative grounding type. When an inverted circuit connection takes place, the circuit will be in short circuit instantaneously resulting the alternator failure.

**DO NOT** put water directly on the alternator. Entry of water into the alternator can cause corrosion and damage the alternator.

## Wiring

Inspect the entire generator for bad or worn electrical wiring or connections. If any wiring or connections are exposed (insulation missing) replace wiring immediately.

## Piping and Hose Connection

Inspect all piping, oil hose, and fuel hose connections for wear and tightness. Tighten all hose clamps and check hoses for leaks.

If any hose (**fuel** or **oil**) lines are defective replace them immediately.

# DCA-125USJ — GENERATOR START-UP PROCEDURE (MANUAL)

## Before Starting

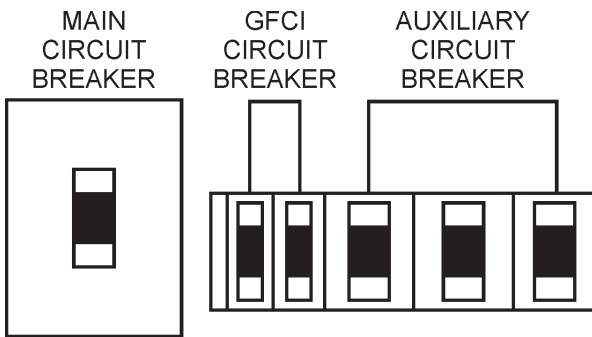
### ⚠ CAUTION - LETHAL EXHAUST HAZARD

The engine's exhaust contains harmful emissions. **ALWAYS have adequate ventilation when operating.** Direct exhaust away from nearby personnel.

### ⚠ WARNING - STARTING THE GENERATOR

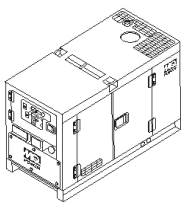
**NEVER!** manually start the engine with the **main, GFCI** or **auxiliary** circuit breakers in the **ON** (closed) position.

- Place the **main, G.F.C.I.** and **aux.** circuit breakers (Figure 39) in the **OFF** position prior to starting the engine.

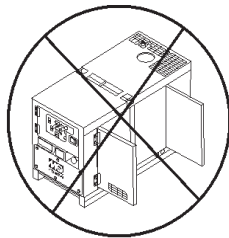


**Figure 39. Main, Aux. and GFCI Circuit Breakers (OFF)**

- Connect the load to the **receptacles** or the **Output Terminal Lugs** as shown in Figure 13. These load connection points can be found on the output terminal panel and the output terminal panel's hard wire hookup panel.
- The output terminal lugs are protected by a plastic cover. Remove this cover to gain access to the terminals. Tighten terminal nuts securely to prevent load wires from slipping out.
- Close all engine enclosure doors (Figure 40).



**CORRECT**

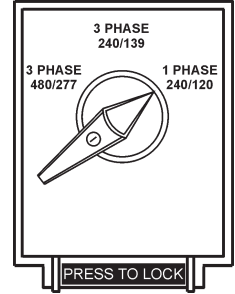


**INCORRECT**

**Figure 40. Engine Enclosure Doors**

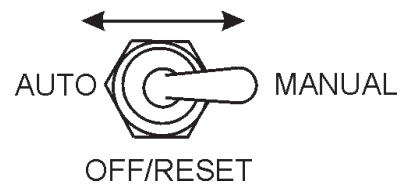
- Place the **voltage selector switch** in the desired voltage position (Figure 41).

**Figure 41. Voltage Selector Switch**



## Starting (Manual)

- Place the **MPEC Control Switch** in the **MANUAL** position to start the engine (Figure 42).



**Figure 42. MPEC Control Switch (Manual Position)**

In cold weather conditions, placing the **MPEC Control Switch** in the **MANUAL** position will preheat and start the engine **AUTOMATICALLY**. The **Preheat Lamp** (Figure 43) will turn off when the engine has started.

- Once the engine starts, let the engine run for 1-2 minutes. Listen for any abnormal noises.



**PRE-HEAT LAMP**

**Figure 43. Pre-Heat Lamp**

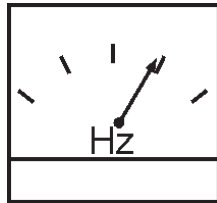
- Verify that the **Engine Running** status LED on the MPEC unit (Figure 44) is **ON** (lit) after the engine has been started.

**Figure 44. Engine Running LED (ON)**



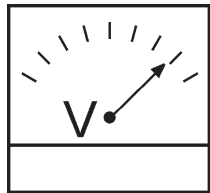
# DCA-125USJ — GENERATOR START-UP PROCEDURE (MANUAL)

9. The generator's frequency meter (Figure 45) should be displaying the 60 cycle output frequency in **HERTZ**.



**Figure 45. Frequency Meter (Hz)**

10. The generator's AC-voltmeter (Figure 46) will display the generator's output in **VOLTS**. If the voltage is not within the specified tolerance, use the voltage adjustment control knob (Figure 47) to increase or decrease the desired voltage.

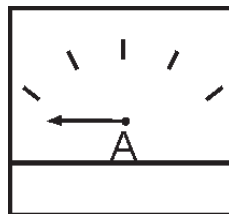


**Figure 46. Voltmeter**



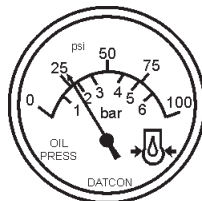
**Figure 47. Voltage Adjust Control Knob**

11. The ammeter (Figure 48) will indicate zero amps with no load applied. When a load is applied, the ammeter will indicate the amount of current that the load is drawing from the generator.



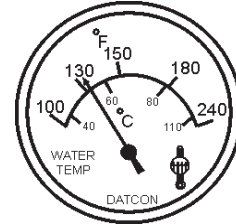
**Figure 48. Ammeter (No Load)**

12. The engine oil pressure gauge (Figure 49) will indicate the oil pressure (kg/ cm<sup>2</sup>) of the engine. Under normal operating conditions the oil pressure is approximately 35~65 PSI.



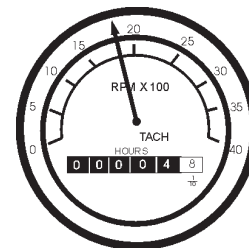
**Figure 49. Oil Pressure Gauge**

13. The **coolant temperature gauge** (Figure 50) will indicate the coolant temperature. Under normal operating conditions the coolant temperature should be between 165 and 215 degrees Fahrenheit (**Green Zone**).



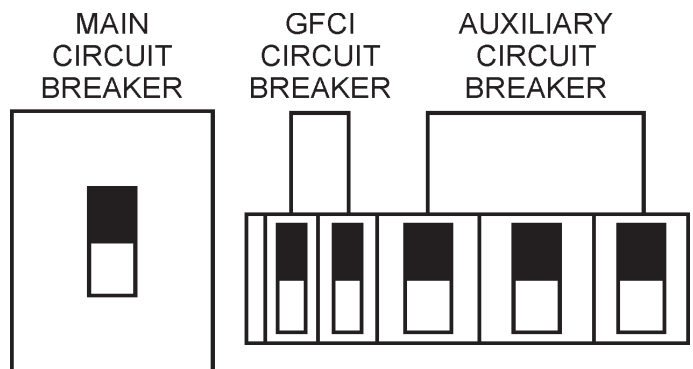
**Figure 50. Coolant Temperature Gauge**

14. The **tachometer gauge** (Figure 51) will indicate the speed of the engine when the generator is operating. Under normal operating conditions this speed is approximately 1800 RPM's.



**Figure 51. Engine Tachometer Gauge**

15. Place the **main**, **GFCI**, and **aux.** circuit breakers in the **ON** position (Figure 52).



**Figure 52. Main, Aux. and GFCI Circuit Breakers (ON)**

# DCA-125USJ — GENERATOR START-UP PROCEDURE (AUTO MODE)

16. Observe the generator's ammeter (Figure 53) and verify it reads the anticipated amount of current with respect to the load. The ammeter will only display a current reading if a load is in use.

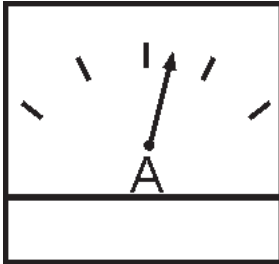



Figure 53. Ammeter (Load)

17. The generator will run until manually stopped or an abnormal condition occurs.

## Starting (Auto Mode)

**! DANGER - ELECTRICAL SYSTEM HAZARDS**

Before connecting this generator to any building's electrical system, a **licensed electrician** must install an **isolation (transfer) switch**. Serious damage to the building's electrical system may occur without this transfer switch.

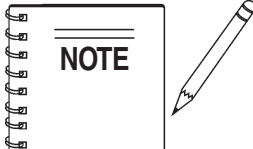


**! CAUTION - BACKUP GENERATOR USE**

When connecting the generator to a isolation (transfer) switch, **ALWAYS** have power applied to the generator's internal battery charger. This will ensure that the engine will not fail due to a dead battery.

**NOTE**

When the generator is set in the **AUTO** mode, the generator will **automatically start** in the event of commercial power falling below a prescribed level by means of a contact closure that is generated automatically by a transfer switch.



**! WARNING - AUTO MODE MAINTENANCE**

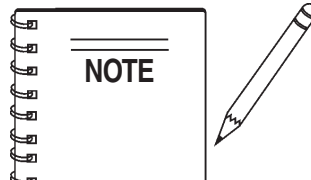
When running the generator in the **AUTO** mode, remember the generator can start up at any time without warning. **NEVER** attempt to perform any maintenance when the generator is in the auto mode.

**! CAUTION - ENGINE SPEED SWITCH**

The **Engine Speed Switch** **must** be set to the "**High**" position when running in the **Auto-Start** mode. Failing to set the switch in the proper position can result in damage to your generator when it turns on.

**NOTE**

When the **MPEC Control Switch** is placed in the **AUTO** position, the engine glow plugs will be warmed and the engine will start automatically.



When starting generator in **AUTO** mode use the "**Manual Start-up**" procedure except where noted (see below).

1. Perform steps 1 through 5 in the **Before Starting** section as outlined in the **Manual Starting Procedure**.
2. Place the **MPEC Control Switch** (Figure 54) in the **AUTO** position



Figure 54. MPEC Control Switch (AUTO)

3. Continue operating the generator as outlined in the **Manual Start-up** procedure (start at step 9).



# DCA-125USJ — GENERATOR SHUT-DOWN PROCEDURE

## WARNING - SHUTTING DOWN THE GENERATOR

**NEVER** stop the engine suddenly except in an emergency.

### Normal Shutdown Procedure

To shutdown the generator use the following procedure:

1. Place both the **MAIN, GFCI** and **LOAD** circuit breakers as shown in Figure 38 to the **OFF** position.
3. Let the engine cool by running it at low speed for 3-5 minutes with no load applied.
4. Place the **MPEC Control Switch** (Figure 55) to the **OFF/RESET** position.



**Figure 55. MPEC Control Switch (Off/Reset)**

5. Verify that the ***all*** status LED's on the MPEC display are **OFF** (not lit).
6. Remove all loads from the generator.
7. Inspect entire generator for any damage or loosening of components that may have occurred during operation.

### Emergency Shutdown Procedure

1. To shut-down the engine in the event of an emergency, switch the **MAIN, GFCI** and **LOAD** (Figure 38) circuit breakers to **OFF** position.
2. Place the **MPEC Control Switch** (Figure 55) to the **OFF/RESET** position.

| TABLE 13. INSPECTION/MAINTENANCE |   | 10 Hrs<br>DAILY | 250 Hrs | 500 Hrs | 1000 Hrs |
|----------------------------------|---|-----------------|---------|---------|----------|
| <b>ENGINE</b>                    | Check Engine Fluid Levels                           | X               |         |         |          |
|                                  | Check Air Cleaner                                   | X               |         |         |          |
|                                  | Check Battery Acid Level                            | X               |         |         |          |
|                                  | Check Fan Belt Condition                            | X               |         |         |          |
|                                  | Check for Leaks                                     | X               |         |         |          |
|                                  | Check for Loosening of Parts                        | X               |         |         |          |
|                                  | Replace Engine Oil and Filter * 1                   |                 | X       |         |          |
|                                  | Clean Air Filter                                    |                 | X       |         |          |
|                                  | Check Fuel Filter/Water Separator Bowl              | X               |         |         |          |
|                                  | Clean Unit, Inside and Outside                      |                 | X       |         |          |
|                                  | Change Fuel Filter                                  |                 |         | X       |          |
|                                  | Clean Radiator and Check Coolant Protection Level*2 |                 |         | X       |          |
|                                  | Replace Air Filter Element * 3                      |                 |         | X       |          |
|                                  | Check all Hoses and Clamps * 4                      |                 |         |         | X        |
|                                  | Clean Inside of Fuel Tank                           |                 |         |         | X        |
| <b>GENERATOR</b>                 | Measure Insulation Resistance Over 3M ohms          |                 | X       |         |          |
|                                  | Check Rotor Rear Support Bearing                    |                 |         | X       |          |

\*1 Replace engine oil and filter at 100 hours, first time only.

\*2 Add "Supplemental Coolant Additives (SCA'S)" to recharge the engine coolant.

\*3 Replace primary air filter element when restriction indicator shows a vacuum of 625 mm (25 in. H<sub>2</sub>O).

\*4 If blowby hose needs to be replaced, ensure that the slope of the blowby hose is at least a 1/2 inch per foot, with no sags or dips that could collect moisture and/or oil.

## General Inspection

Prior to each use, the generator should be cleaned and inspected for deficiencies. Check for loose, missing or damaged nuts, bolts or other fasteners. Also check for fuel, oil, and coolant leaks.

**Engine Side** (Refer to the Engine Instruction Manual)

### Air Cleaner

Every 250 hours: Remove air cleaner element and clean the heavy duty paper element with light spray of compressed air. Replace the air cleaner as needed.

### Air Cleaner with Dust Indicator

This indicator is attached to the air cleaner. When the air cleaner element is clogged, air intake restriction becomes greater and the dust indicator signal shows **RED** meaning the element needs changing or service. After changing the air element, press the dust indicator button to reset the indicator.

## Service Daily

If the engine is operating in very **dusty** or **dry grass** conditions, a clogged air cleaner will result. This can lead to a loss of power, excessive carbon buildup in the combustion chamber and high fuel consumption. Change air cleaner more **frequently** if these conditions exist.

## Fuel Addition

Add diesel fuel (the grade may vary according to season and locations).

## Removing Water from the Fuel Tank

After prolonged use, water and other impurities accumulate in the bottom of the tank. Occasionally inspect the fuel tank for water contamination and drain the contents if required.

During cold weather, the more empty volume inside the tank, the easier it is for water to condense. This can be reduced by keeping the tank full with diesel fuel.



## Air Removal

If air enters the fuel injection system of a diesel engine, starting becomes impossible. After running out of fuel, or after disassembling the fuel system, bleed the system according to the following procedure. See the *John Deere Engine Manual* for details.

## Check Oil Level

Check the crankcase oil level prior to each use, or when the fuel tank is filled. Insufficient oil may cause severe damage to the engine. Make sure the generator is level. The oil level must be between the two notches on the dipstick as shown in Figure 33.

## Replacing Oil Filter

- Remove the old oil filter.
- Apply a film of oil to the gasket on the new oil filter.
- Install the new oil filter.
- After the oil cartridge has been replaced, the engine oil will drop slightly. Run the engine for a while and check for leaks before adding more oil if needed. Clean excessive oil from engine.

## Replacing Fuel Filter

- Replace the fuel filter cartridge with new one every 500 hours or so.
- Loosen the drain plug at the lower top of the fuel filter. Drain the fuel in the fuel body together with the mixed water. **DO NOT** spill the fuel during disassembly.
- Vent any air.

## Flushing Out Radiator and Replacing Coolant

- Open both cocks located at the crankcase side and at the lower part of the radiator and drain coolant. Open the radiator cap while draining. Remove the overflow tank and drain.
- Check hoses for softening and kinks. Check clamps for signs of leakage.
- Flush the radiator by running clean tap water through radiator until signs of rust and dirt are removed. **DO NOT** clean radiator core with any objects, such as a screwdriver.
- Tighten both cocks and replace the overflow tank.
- Replace with coolant as recommended by the engine manufacturer.
- Close radiator cap tightly.

### WARNING - BURN HAZARDS

Allow engine to **cool** when flushing out radiator. Flushing the radiator while hot could cause serious burns from water or steam.



## Generator Storage

For long term storage of the generator the following is recommended:

- Fill the fuel tank completely. Treat with a fuel stabilizer if necessary.
- Completely drain the oil from the crankcase and refill if necessary with fresh oil.
- Clean the entire generator, internal and external.
- Cover the generating set and store in a clean, dry place.
- Disconnect the battery.
- Make sure engine coolant is at proper level.
- If generator is mounted on a trailer, jack trailer up and place on blocks so tires do not touch the ground or block and completely remove the tires.

## Jacket Water Heater and Internal Battery Charger 120VAC Input Receptacles (OPTIONAL)

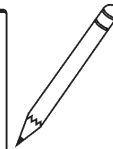
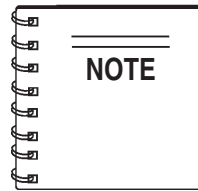
This generator can be optionally equipped with two 120 VAC, 20 amp input receptacles located on the output terminal panel.

The purpose of these receptacles is to provide power via commercial power to the **jacket water heater** and **internal battery charger**.

These receptacles will **ONLY** function when commercial power has been supplied to them (Figure 56). To apply commercial power to these receptacles, a power cord of adequate size will be required (See Table 5).

When using the generator in **hot** climates there is no reason to apply power to jacket water heater. However, if the generator will be used in **cold** climates it is always a good idea to apply power to the jacket water heater at all times. To apply power to the jacket water heater simply apply power to the jacket water heater receptacle via commercial power using an power cord of adequate size.

If the generator will be used daily, the battery should normally not require charging. If the generator will be idle (not used) for long periods of time, apply power to the battery charger receptacle via commercial power using an power cord of adequate size.



To ensure adequate starting capability, **always** have power applied to the generator's **internal battery charger**.

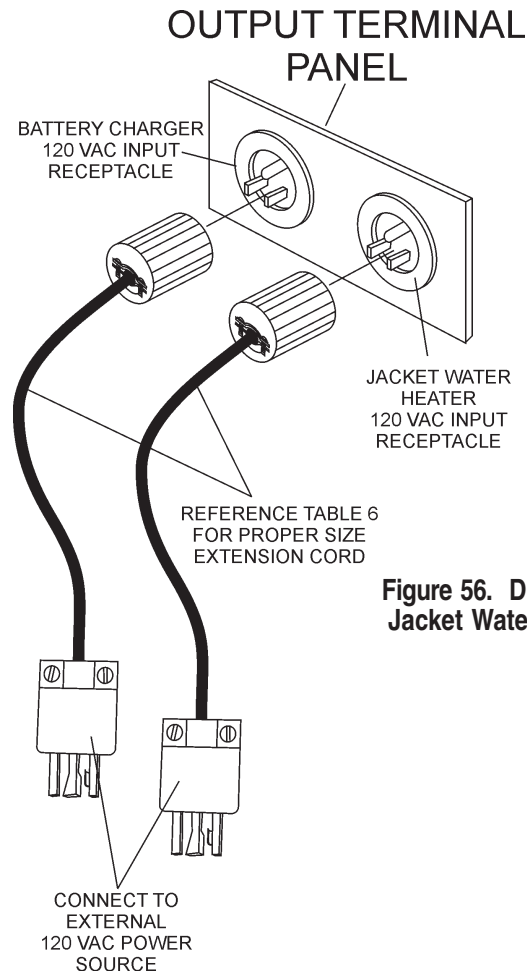


Figure 56. DCA-45SIU2 Battery Charger & Jacket Water Heater Power Connections

# DCA-125USJ — TRAILER BRAKES MAINTENANCE

## Brakes

Trailer brakes should be inspected the **first 200 miles** of operation. This will allow the brake shoes and drums to seat properly. After the first 200 mile interval, inspect the brakes **every 3,000 miles**. If driving over rough terrain, inspect the brakes more frequently.

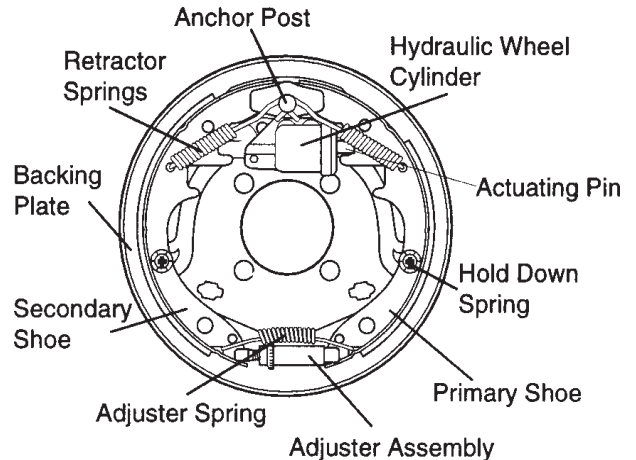
Figure 60 displays the major hydraulic surge brake components that will require inspection and maintenance. Please inspect these components as required using steps 1 through 8 as listed below:

### Brake Adjustment

1. Place the trailer on jack stands. Make sure the jack stands are placed on secure level ground.
2. Check the wheel and drum for free rotation.
3. Remove the adjusting hole cover from the adjusting slot at the bottom brake backing plate.
4. With a screwdriver or standard adjusting tool, rotate the star wheel of the adjuster assembly to expand the brake shoes.
5. Adjust the brake shoes outward until the pressure of the lining against the wheel drum makes the wheel difficult to turn.
6. Adjust, rotate the star wheel in the opposite direction until the wheel rotates freely with slight lining drag.
7. Replace the adjusting hole cover and lower the trailer to the ground.
8. Repeat steps 1 through 7 on the remaining brakes.

## Hydraulic Surge Brakes

Hydraulic surge brakes (Figure 57) should not require any special attention with the exception of routine maintenance such as shoe and lining replacement. Brake lines should be periodically checked for cracks, kinks, or blockage.



**Figure 57. Hydraulic Brake Components**

### Actuator

Hydraulic surge braking requires the installation of an actuator at the tongue of the trailer. Remember the **surge** or **push** of the trailer toward the tow vehicle automatically synchronizes the trailer brakes with the tow vehicle brakes. As the trailer pushes against the tow vehicle the actuator telescopes together and applies force to the master cylinder, supplying hydraulic pressure to the trailer brakes.

Periodically check and test the surge “**actuator**” to make sure that it is functioning correctly. Never use an undersize actuator.

**Table 14. Hydraulic Brake Troubleshooting**

| Symptom                                | Possible Cause  | Solution                                    |
|--|---|---|
| No Brakes                              | Brake line broken or kinked?                                | Repair or replace.                          |
| Weak Brakes or Brakes Pull to One Side | Brake lining glazed?  | Reburnish or replace.                       |
|  | Trailer overloaded?   | Correct weight.                             |
|  | Brake drums scored or grooved?                              | Machine or replace.                         |
|  | Tire pressure correct?                                      | Inflate all tires equally.                  |
|  | Tires unmatched on the same axle?                           | Match tires.                                |
| Locking Brakes                         | Brake components loose, bent or broken?                     | Replace components.                         |
|  | Brake drums out-of-round?                                   | Replace.                                    |
| Noisy Brakes                           | System lubricated?  | Lubricate.                                  |
|  | Brake components correct?                                   | Replace and correct.                        |
| Dragging Brakes                        | Brake lining thickness incorrect or not adjusted correctly? | Install new shoes and linings.              |
|  | Enough brake fluid or correct fluid?                        | Replace rubber parts fill with dot 4 fluid. |

## Tires/Wheels/Lug Nuts

Tires and wheels are a very important and critical components of the trailer. When specifying or replacing the trailer wheels it is important the wheels, tires, and axle are properly matched.

### CAUTION - EYESIGHT HAZARD

**ALWAYS** wear safety glasses when removing or installing force fitted parts. Failure to comply may result in serious injury.



### CAUTION - REPAIRING TRAILER WHEELS

**DO NOT** attempt to repair or modify a wheel. **DO NOT** install in inner tube to correct a leak through the rim. If the rim is cracked, the air pressure in the inner tube may cause pieces of the rim to explode (break off) with great force and cause serious eye or bodily injury.



## Tire Wear/Inflation

Tire inflation pressure is the most important factor in tire life. Pressure should be checked cold before operation **DO NOT** bleed air from tires when they are **hot!** Check inflation pressure weekly during use to insure the maximum tire life and tread wear.

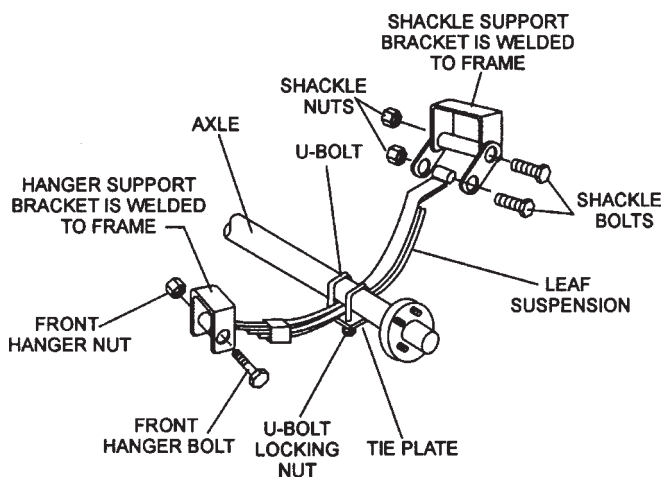
Table 15 (Tire Wear Troubleshooting) will help pinpoint the causes and solutions of tire wear problems.

**TABLE 15. TIRE WEAR TROUBLESHOOTING**

| WEAR PATTERN | CAUSE                          | SOLUTION  |
|--------------|--------------------------------|---|
| Center Wear  | Over Inflation.                | Adjust pressure to particular load per tire manufacturer. |
| Edge Wear    | Under Inflation.               | Adjust pressure to particular load per tire manufacturer. |
| Side Wear    | Loss of camber or overloading. | Make sure load does not exceed axle rating. Align wheels. |
| Toe Wear     | Incorrect toe-in.              | Align wheels.   |
| Cupping      | Out-of-balance.                | Check bearing adjustment and balance tires.               |
| Flat Spots   | Wheel lockup & tire skidding.  | Avoid sudden stops when possible and adjust brakes.       |

## Suspension

The **leaf suspension** springs and associated components (Figure 58) should be visually inspected every 6,000 miles for signs of excessive wear, elongation of bolt holes, and loosening of fasteners. Replace all damaged parts (suspension) immediately. Torqued suspension components as detailed in Table 16.



**Figure 58. Major Suspension Components**

**Table 16. Suspension Torque Requirements**

| Item                            | Torque (Ft.-Lbs.)  |
|---------------------------------|--|
| 3/8" U-BOLT                     | MIN-30 MAX-35  |
| 7/16" U-BOLT                    | MIN-45 MAX-60  |
| 1/2" U-BOLT                     | MIN-45 MAX-60  |
| SHACKLE BOLT<br>SPRING EYE BOLT | SNUG FIT ONLY. PARTS MUST ROTATE FREELY. LOCKING NUTS OR COTTER PINS ARE PROVIDED TO RETAIN NUT-BOLT ASSEMBLY. |
| SHOULDER TYPE<br>SHACKLE BOLT   | MIN-30 MAX-50  |

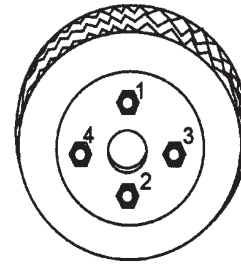
## Lug Nut Torque Requirements

It is extremely important to apply and maintain proper wheel mounting torque on the trailer. Be sure to use only the fasteners matched to the cone angle of the wheel. Proper procedure for attachment of the wheels is as follows:

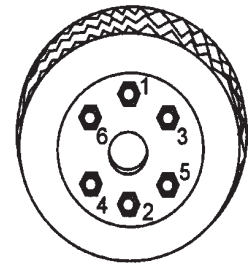
1. Start all wheel lug nuts by hand.
2. Torque all lug nuts in sequence (see Figure 59). **DO NOT** torque the wheel lug nuts all the way down. Tighten each lug nut in 3 separate passes as defined by Table 17.
3. After first road use, retorque all lug nuts in sequence. Check all wheel lug nuts periodically.

Table 17. Tire Torque Requirements

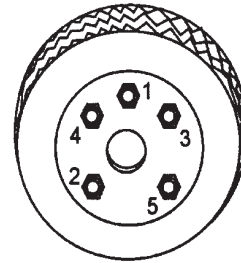
| Wheel Size | First Pass<br>FT-LBS | Second Pass<br>FT-LBS | Third Pass<br>FT-LBS |
|------------|----------------------|-----------------------|----------------------|
| 12"        | 20-25                | 35-40                 | 50-65                |
| 13"        | 20-25                | 35-40                 | 50-65                |
| 14"        | 20-25                | 50-60                 | 90-120               |
| 15"        | 20-25                | 50-60                 | 90-120               |
| 16"        | 20-25                | 50-60                 | 90-120               |



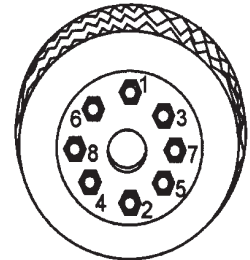
4-LUG NUTS



6-LUG NUTS



5-LUG NUTS



8-LUG NUTS

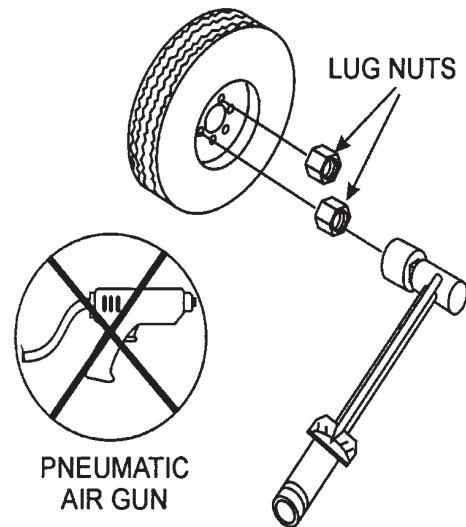
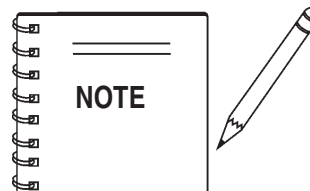


Figure 59. Wheel Lug Nuts Tightening Sequence



**NEVER** use an pneumatic air gun to tighten wheel lug nuts.

# DCA-125USJ — TRAILER WIRING DIAGRAM

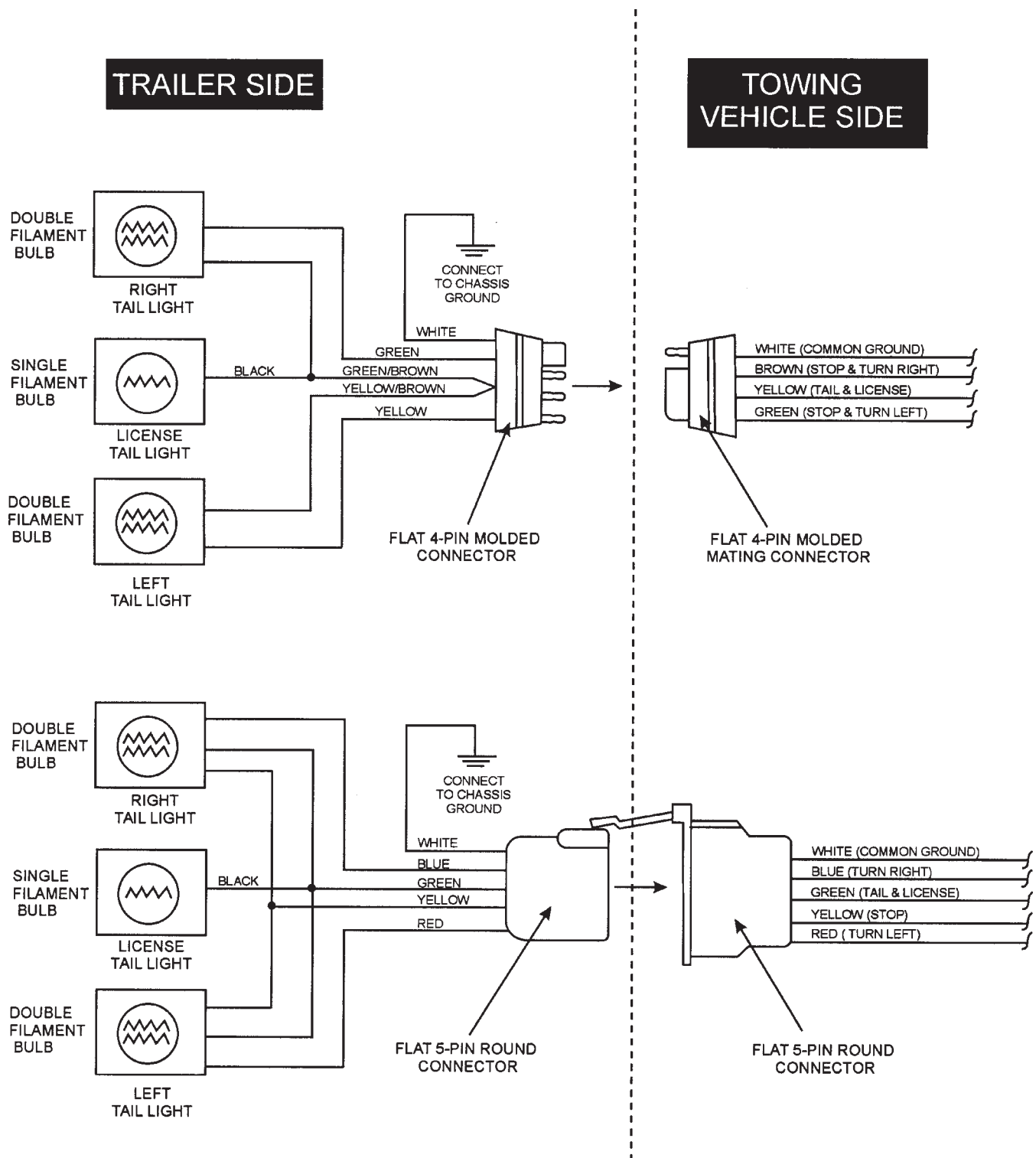
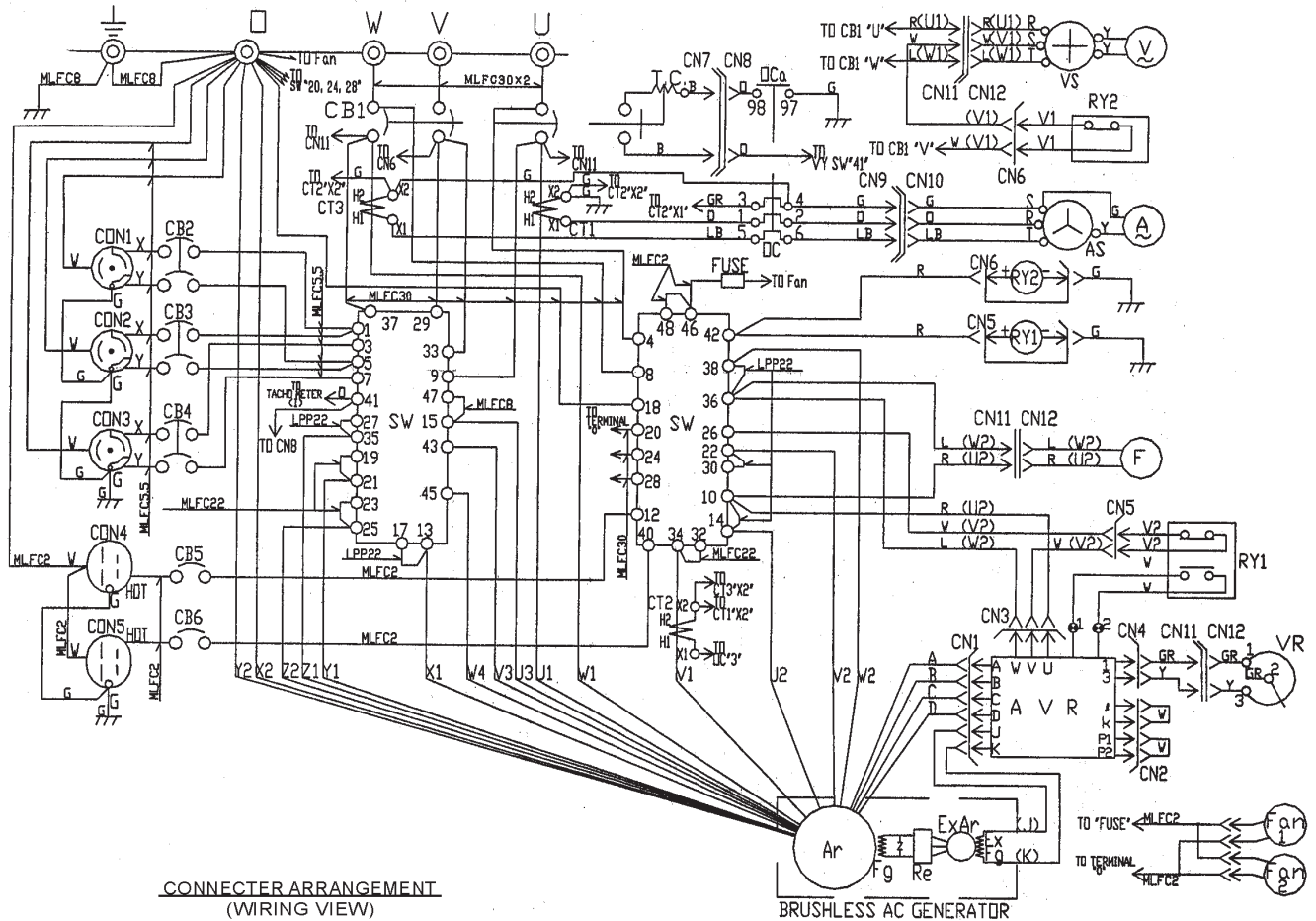


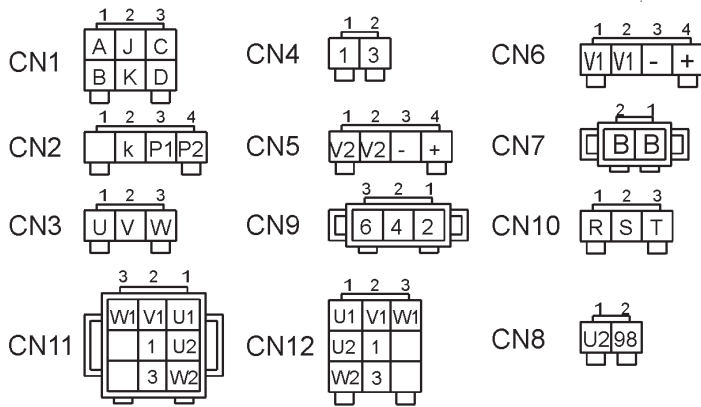
Figure 60. Trailer/Towing Vehicle Wiring Diagram



# DCA-125USJ — GENERATOR WIRING DIAGRAM



CONNECTER ARRANGEMENT (WIRING VIEW)



**COLOR CODE**

| SYM. | WIRE COLOR | SYM. | WIRE COLOR  |
|------|------------|------|-------------|
| B    | BLACK      | R    | RED         |
| L    | BLUE       | W    | WHITE       |
| BR   | BROWN      | Y    | YELLOW      |
| G    | GREEN      | LB   | LIGHT BLUE  |
| GR   | GRAY       | LG   | LIGHT GREEN |
| V    | VIOLET     | O    | ORANGE      |
| P    | PINK       |      |             |

**Notice:**

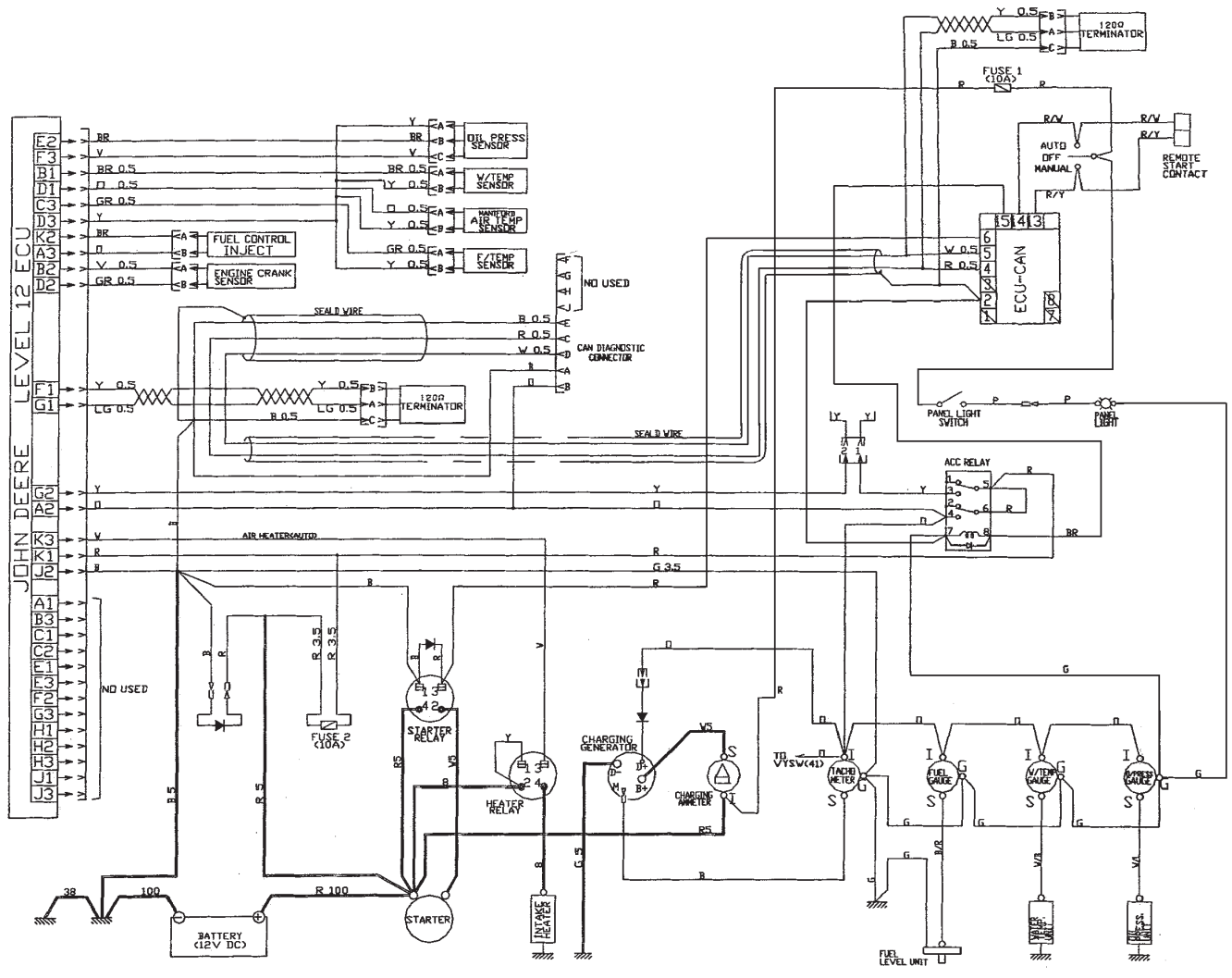
1. No designation lead size : 1.25

| SYMBOL   | DESIGNATION                     |
|----------|---------------------------------|
| Ar       | MAIN GENERATOR ARMATURE WINDING |
| Fg       | MAIN GENERATOR FIELD WINDING    |
| ExAr     | EXCITER ARMATURE WINDING        |
| ExFg     | EXCITER FIELD WINDING           |
| Re       | RECTIFIER                       |
| AVR      | AUTOMATIC VOLTAGE REGULATOR     |
| VR       | VOLTAGE REGULATOR (RHEOSTAT)    |
| CT 1,2,3 | CURRENT TRANSFORMER             |
| AS       | CHANGE-OVER SWITCH, AMMETER     |
| A        | AC AMMETER                      |
| VS       | CHANGE-OVER SWITCH, VOLTMETER   |
| V        | AC VOLTMETER                    |
| F        | FREQUENCY METER                 |
| CB1      | CIRCUIT BREAKER                 |
| CB2,3,4  | CIRCUIT BREAKER                 |
| CB5,6    | CIRCUIT BREAKER                 |
| CN1,2,3  | RECEPTACLE                      |
| CN4,5    | RECEPTACLE                      |
| OC       | OVER CURRENT RELAY              |
| SW       | SELECTOR SWITCH                 |
| RY1,2    | RELAY UNIT                      |
| FUSE     | 10A                             |
| FAN 1,2  | FAN MOTOR                       |

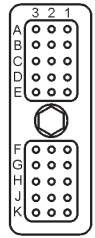
Figure 61. Generator Wiring Diagram



# DCA-125USJ — ENGINE WIRING DIAGRAM



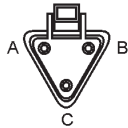
JOHN DEERE  
LEVEL 12 ECU  
CONNECTOR



CAN DIAGNOSTIC  
CONNECTOR



CAN TERMINATOR



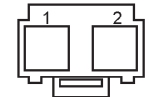
CRANK SENSOR



COOLANT TEMP.



INTAKE HEATER  
WAIT LAMP  
(LAMP SIDE)



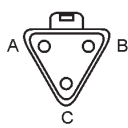
MGP  
(A CONNECTOR  
FORM IS MALE  
FEMALE COMMONS)



ALTERNATOR



120 OHM TERMINATOR



FUEL TEMP.



MANIFOLD AIR TEMP.



INTAKE HEATER  
WAIT LAMP  
(WIRING SIDE)

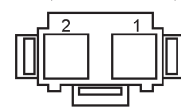


Figure 62. Engine Wiring Diagram

| COLOR CODE |            |      |             |
|------------|------------|------|-------------|
| SYM.       | WIRE COLOR | SYM. | WIRE COLOR  |
| B          | BLACK      | R    | RED         |
| L          | BLUE       | W    | WHITE       |
| BR         | BROWN      | Y    | YELLOW      |
| G          | GREEN      | LB   | LIGHT BLUE  |
| GR         | GRAY       | LG   | LIGHT GREEN |
| V          | VIOLET     | O    | ORANGE      |
| P          | PINK       |      |             |

| WIRE SIZE                                     |                        |
|---|------------------------|
| 100:KIV or MLFC                               | 100 mm <sup>2</sup>    |
| 38:KIV or MLFC                                | 38 mm <sup>2</sup>     |
| 8:KIV or MLFC                                 | 8 mm <sup>2</sup>      |
| 5:DESIGNATED COLOR                            | AV 5 mm <sup>2</sup>   |
| 3.5:DESIGNATED COLOR                          | AV 3.5 mm <sup>2</sup> |
| 0.5:DESIGNATED COLOR                          | AV 0.5 mm <sup>2</sup> |
| WITH NO DESIGNATION, USE AV                   |                        |
| 1.25 mm <sup>2</sup> LEAD OF DESIGNATED COLOR |                        |

## DCA-125USJ — TROUBLESHOOTING (GENERATOR)

Practically all breakdowns can be prevented by proper handling and maintenance inspections, but in the event of a breakdown, use Table 18 shown below for diagnosis of the Generator. If the problem cannot be remedied, consult our company's business office or service plant.

**TABLE 18. GENERATOR TROUBLESHOOTING**

| SYMPTOM                 | POSSIBLE PROBLEM              | SOLUTION                                |
|-------------------------|-------------------------------|---|
| No Voltage Output       | AC Voltmeter defective?       | Check output voltage using a voltmeter. |
|                         | Is wiring connection loose?   | Check wiring and repair.                |
|                         | Is AVR defective?             | Replace if necessary.                   |
|                         | Defective Rotating Rectifier? | Check and replace.                      |
|                         | Defective Exciter Field?      | Check for 17.3 ohms across J & K on CN1 |
| Low Voltage Output      | Is engine speed correct?      | Turn engine throttle lever to "High".   |
|                         | Is wiring connections loose?  | Check wiring and repair.                |
|                         | Defective AVR?                | Replace if necessary.                   |
| High Voltage Output     | Is wiring connections loose?  | Check wiring and repair.                |
|                         | Defective AVR?                | Replace if necessary.                   |
| Circuit Breaker Tripped | Short Circuit in load?        | Check load and repair.                  |
|                         | Over current?                 | Confirm load requirements and reduce.   |
|                         | Defective circuit breaker?    | Check and replace.                      |
|                         | Over current Relay actuated?  | Confirm load requirement and replace.   |

## DCA-125USJ — TROUBLESHOOTING (ENGINE CONTROLLER)

Practically all breakdowns can be prevented by proper handling and maintenance inspections, but in the event of a breakdown, use Table 19 (Engine Controller Troubleshooting) as a basic guideline for troubleshooting the Microprocessor Engine Controller unit (MPEC). If the problem cannot be remedied, consult our company's business office or service plant.

**TABLE 19. ENGINE CONTROLLER TROUBLESHOOTING (MPEC)**

| SYMPTOM   | POSSIBLE PROBLEM                              | SOLUTION                               |
|---|---|--|
| Low oil pressure light is on.                         | Low oil level?                                | Fill oil level.                        |
|   | Oil pressure sending unit failure?            | Replace oil pressure sending unit.     |
|   | Time delay malfunction in Controller?         | Refer to dealer.                       |
|   | Wire shorted?                                 | Inspect/repair wire.                   |
| Low coolant level light is on. (Optionally Installed) | Low coolant level?                            | Fill coolant level.                    |
|   | Sending unit failure?                         | Replace sending unit.                  |
|   | Low battery voltage?                          | Replace/charge battery.                |
| High coolant temperature light is on.                 | Fan belt tension incorrect?                   | Tighten/replace fan belt.              |
|   | Air flow is not circulation through radiator? | Clean/repair radiator grill.           |
|   | Doors open?                                   | Close doors.                           |
|   | Exhaust leaking?                              | Replace/repair gaskets or faulty part. |
|   | Generator being overloaded?                   | Check/reduce load.                     |
|   | Thermostat failure?                           | Replace thermostat.                    |
|   | Air intake blocked?                           | Clear all air intakes.                 |
|   | Temperature switch failure?                   | Replace temperature switch.            |
| Overcrank light is on.                                | No or low Fuel?                               | Fill fuel level.                       |
|   | Controller needs to be calibrated?            | Refer to dealer.                       |
| Overspeed light is on.                                | RPM engine speed too high?                    | Adjust RPM.                            |
|   | Governor actuator needs to be adjusted?       | Adjust governor actuator.              |
|   | Governor controller needs to be adjusted?     | Adjust governor controller.            |
|   | Engine Controller needs to be calibrated?     | Refer to dealer.                       |
| Loss of MPU light(s) or on.                           | Magnetic pick up out of adjustment?           | Adjust magnetic pick up.               |
|   | Magnetic pick up dirty?                       | Clean magnetic pick up.                |



# DCA-125USJ — EXPLANATION OF CODE IN REMARKS COLUMN

The following section explains the different symbols and remarks used in the Parts section of this manual. Use the help numbers found on the back page of the manual if there are any questions.

## NOTICE

The contents and part numbers listed in the parts section are subject to change **without notice**. Multiquip does not guarantee the availability of the parts listed.

## SAMPLE PARTS LIST

| NO. | PART NO. | PART NAME           | QTY. | REMARKS             |
|-----|----------|---------------------|------|---------------------|
| 1   | 12345    | BOLT.....           | 1    | INCLUDES ITEMS W/%  |
| 2%  |          | WASHER, 1/4 IN..... |      | NOT SOLD SEPARATELY |
| 2%  | 12347    | WASHER, 3/8 IN....  | 1    | MQ-45T ONLY         |
| 3   | 12348    | HOSE .....          |      | A/R ...MAKE LOCALLY |
| 4   | 12349    | BEARING .....       | 1    | S/N 2345B AND ABOVE |

## NO. Column

**Unique Symbols** — All items with same unique symbol

(@, #, +, %, or >) in the number column belong to the same assembly or kit, which is indicated by a note in the “Remarks” column.

**Duplicate Item Numbers** — Duplicate numbers indicate multiple part numbers, which are in effect for the same general item, such as different size saw blade guards in use or a part that has been updated on newer versions of the same machine.

## NOTICE

When ordering a part that has more than one item number listed, check the remarks column for help in determining the proper part to order.

## PART NO. Column

**Numbers Used** — Part numbers can be indicated by a number, a blank entry, or TBD.

TBD (To Be Determined) is generally used to show a part that has not been assigned a formal part number at the time of publication.

A blank entry generally indicates that the item is not sold separately or is not sold by Multiquip. Other entries will be clarified in the “Remarks” Column.

## QTY. Column

**Numbers Used** — Item quantity can be indicated by a number, a blank entry, or A/R.

A/R (As Required) is generally used for hoses or other parts that are sold in bulk and cut to length.

A blank entry generally indicates that the item is not sold separately. Other entries will be clarified in the “Remarks” Column.

## REMARKS Column

Some of the most common notes found in the “Remarks” Column are listed below. Other additional notes needed to describe the item can also be shown.

**Assembly/Kit** — All items on the parts list with the same unique symbol will be included when this item is purchased.

Indicated by:

“INCLUDES ITEMS W/(unique symbol)”

**Serial Number Break** — Used to list an effective serial number range where a particular part is used.

Indicated by:

“S/N XXXXX AND BELOW”

“S/N XXXX AND ABOVE”

“S/N XXXX TO S/N XXX”

**Specific Model Number Use** — Indicates that the part is used only with the specific model number or model number variant listed. It can also be used to show a part is NOT used on a specific model or model number variant.

Indicated by:

“XXXXX ONLY”

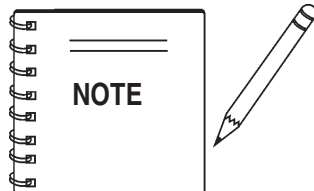
“NOT USED ON XXXX”

**“Make/Obtain Locally”** — Indicates that the part can be purchased at any hardware shop or made out of available items. Examples include battery cables, shims, and certain washers and nuts.

**“Not Sold Separately”** — Indicates that an item cannot be purchased as a separate item and is either part of an assembly/kit that can be purchased, or is not available for sale through Multiquip.

## DCA-125USJ W/JOHN DEERE 4045TF275 DIESEL ENGINE 1 TO 3 UNITS

| <u>Qty.</u> | <u>P/N</u>       | <u>Description</u>                 |
|-------------|------------------|------------------------------------|
| 5 .....     | 0602041292 ..... | FILTER, OIL                        |
| 5 .....     | 0602042594 ..... | FILTER, FUEL, PRIMARY              |
| 5 .....     | 0602042595 ..... | FILTER, FUEL, FINAL                |
| 3 .....     | 0602046377 ..... | ELEMENT, AIR                       |
| 1 .....     | 0602011493 ..... | BELT, FAN                          |
| 1 .....     | 0605505070 ..... | CAP. FUEL TANK                     |
| 1 .....     | 0602122272 ..... | UNIT, OIL PRESSURE                 |
| 1 .....     | 0602123261 ..... | UNIT, WATER TEMPERATURE            |
| 2 .....     | 0601802149 ..... | FUSE, 10A                          |
| 1 .....     | 0602123282 ..... | SENDER, WATER SWITCH (ENGINE SIDE) |
| 1 .....     | 0602122281 ..... | SENDER, OIL SWITCH (ENGINE SIDE)   |
| 1 .....     | 060122272 .....  | UNIT, OIL PRESSURE                 |
| 1 .....     | 0602123261 ..... | UNIT, WATER TEMPERATURE            |



Part number on this Suggested Spare Parts list may supercede/replace the P/N shown in the text pages of this book.





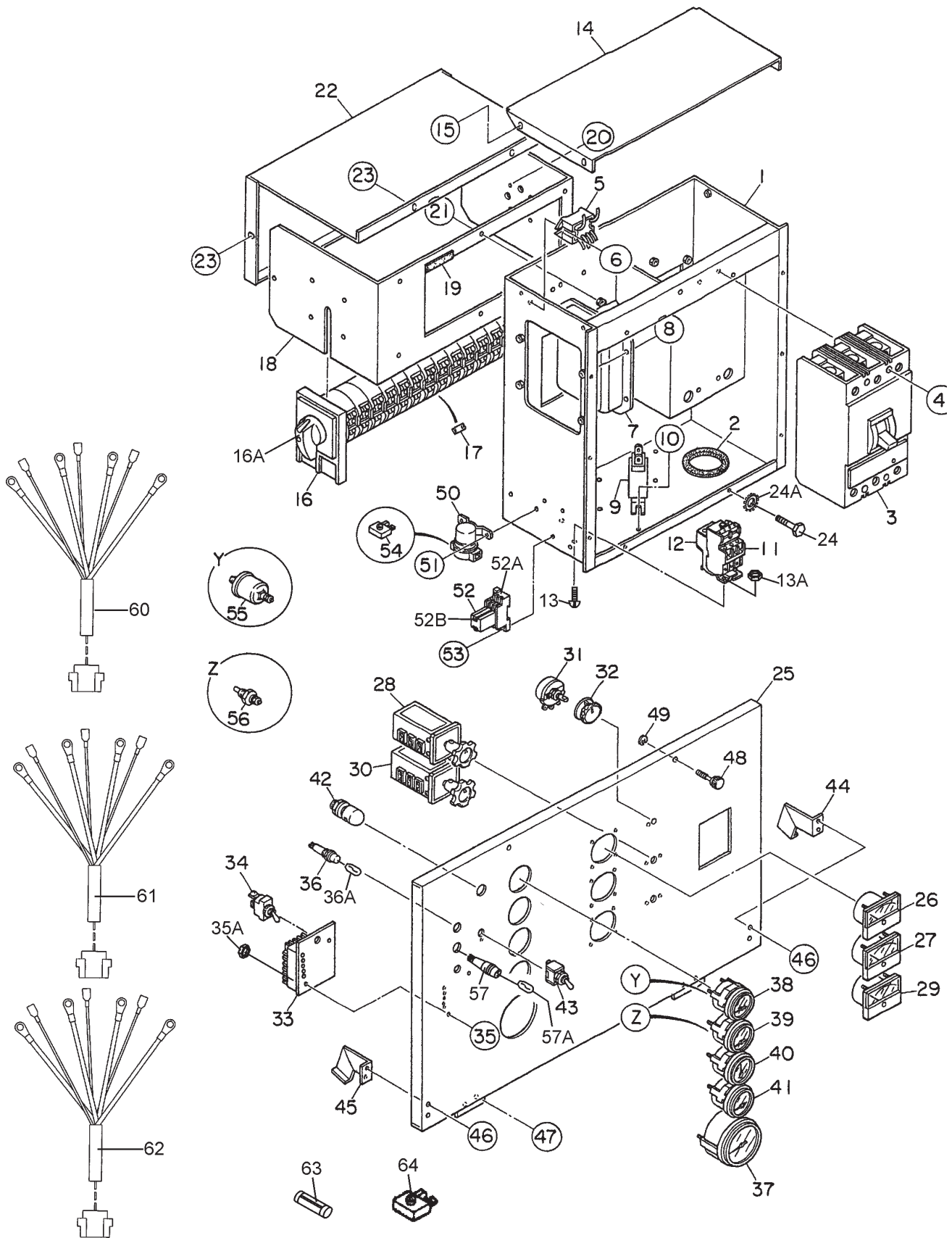
# DCA-125USJ — GENERATOR ASSY.

## GENERATOR ASSY.

| <u>NO.</u> | <u>PART NO.</u> | <u>PART NAME</u>           | <u>QTY.</u> | <u>REMARKS</u>       |
|------------|-----------------|----------------------------|-------------|----------------------|
| 1          | C0110000002     | ROTOR ASSY.                | 1           |                      |
| 1-1*       |                 | FIELD ASSY.                | 1           |                      |
| 1-2*       | 8131070013      | FAN                        | 1           |                      |
| 1-3*       | 8131611014      | COUPLING DISK              | 8           |                      |
| 1-4*       | 8131015003      | BALANCING PLATE .....      | 1           | PURCHASE SET OF 1-14 |
| 1-5*       | 0012112035      | HEX HEAD BOLT              | 10          |                      |
| 1-6*       | 0042612000      | SPRING WASHER              | 10          |                      |
| 1-7*       | 8101026013      | SET PLATE, RECTIFIER ..... | 1           | PURCHASE SET OF 1-14 |
| 1-8*       | 0601821349      | RECTIFIER .....            | 2           | PT3610               |
| 1-9*       | 0601822601      | SURGE ABSORBER .....       | 1           | ERZ-M14JK621A        |
| 1-10*      | 8001020004      | INSULATOR WASHER           | 1           |                      |
| 1-11*      | 8001020504      | INSULATOR WASHER           | 1           |                      |
| 1-12*      | 0010110020      | HEX, HEAD BOLT             | 4           |                      |
| 1-13*      | 0040010000      | SPRING WASHER              | 4           |                      |
| 1-14*      | 0601000209      | BALANCING WEIGHT KIT       | 1           |                      |
| 1-15*      | 0071906312      | BEARING .....              | 1           | 6312DDUC3            |
| 2          | C0130000503     | STATOR ASSY.               | 1           |                      |
| 3          | 0845041804      | GROMMET                    | 2           |                      |
| 4          | 8131315202      | END BRACKET                | 1           |                      |
| 5          | 8101350013      | FIELD ASSY. EXCITER        | 1           |                      |
| 6          | 0012110060      | HEX, HEAD BOLT             | 4           |                      |
| 7          | 0042610000      | SPRING WASHER              | 4           |                      |
| 8          | 0041210000      | PLAIN WASHER               | 4           |                      |
| 9          | 0010112035      | HEX, HEAD BOLT             | 6           |                      |
| 10         | 0041212000      | SPRING WASHER              | 6           |                      |
| 11         | 0041212000      | PLAIN WASHER               | 6           |                      |
| 12         | 8131310104      | COVER, BEARING             | 1           |                      |
| 13         | 8131312204      | GASKET, BEARING            | 1           |                      |
| 14         | 8131331003      | COVER, END BRACKET         | 1           |                      |
| 15         | 0017106012      | HEX, HEAD BOLT             | 10          |                      |
| 16         | 8101333003      | COVER, END BRACKET         | 1           |                      |
| 17         | 0010106030      | HEX, HEAD BOLT             | 2           |                      |
| 18         | 0040006000      | SPRING WASHER              | 2           |                      |
| 19         | 0041206000      | PLAIN WASHER               | 2           |                      |
| 20         | M3163400003     | COUPLING RING              | 1           |                      |
| 21         | 0343204150      | HEX, HEAD BOLT             | 8           |                      |
| 22         | 0043604000      | SPRING WASHER              | 8           |                      |
| 23         | 0070506306      | BEARING, 6306ZZ            | 1           |                      |
| 24         | 0012810030      | HEX, HEAD BOLT             | 12          |                      |
| 25         | 0012810030      | HEX, HEAD BOLT             | 12          |                      |
| 26         | 8131332014      | COVER, FAN                 | 1           |                      |
| 27         | 0600815000      | NUT                        | 1           |                      |
| 28         | 0605000063      | RUBBER SUSPENSION, KA120SS | 2           |                      |
| 29         | 0030016000      | HEX, NUT                   | 2           |                      |
| 29A        | 0040016000      | SPRING WASHER              | 2           |                      |

# DCA-125USJ — CONTROL BOX ASSY.

CONTROL BOX ASSY.



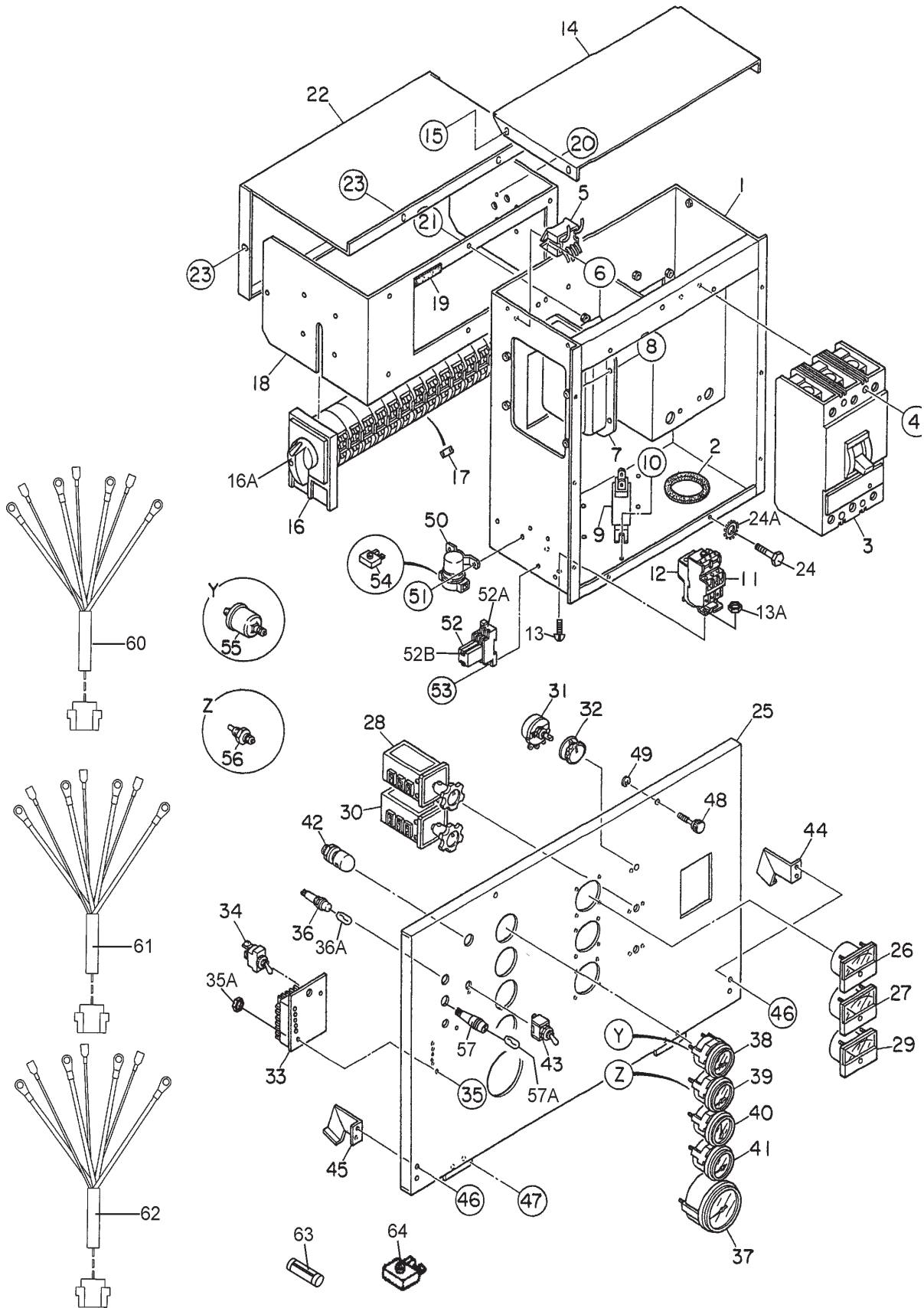
# DCA-125USJ — CONTROL BOX ASSY.

## CONTROL BOX ASSY.

| <u>NO.</u> | <u>PART NO.</u> | <u>PART NAME</u>                    | <u>QTY.</u> | <u>REMARKS</u>       |
|------------|-----------------|-------------------------------------|-------------|----------------------|
| 1          | M3213000702     | CONTROL BOX                         | 1           |                      |
| 2          | 0330000180      | EDGING                              | 2           |                      |
| 3          | 0601808823      | CIRCUIT BREAKER, 300A .....         | 1           | LAF3630010393P       |
| 4          | 0021006080      | MACHINE SCREW                       | 4           |                      |
| 5          | 0601823863      | RELAY UNIT .....                    | 2           | MSA9013A             |
| 6          | 0027104016      | MACHINE SCREW                       | 4           |                      |
| 7          | 0601820671      | AUTOMATIC VOLTAGE REGULATOR .....   | 1           | NTA-5A-2DB           |
| 8          | 0027105016      | MACHINE SCREW                       | 4           |                      |
| 9          | 0601806118      | CURRENT TRANSFORMER .....           | 3           | 814-943 200/5A       |
| 10         | 0027106016      | MACHINE SCREW                       | 6           |                      |
| 11         | 0601820845      | OVER CURRENT RELAY .....            | 1           | LR2D1308             |
| 12         | 0601820846      | OVER CURRENT RELAY .....            | 1           | LA7D1064             |
| 13         | 0027104016      | MACHINE SCREW                       | 2           |                      |
| 13A        | 0207004000      | HEX, NUT                            | 2           |                      |
| 14         | M3213500013     | CONTROL BOX COVER                   | 1           |                      |
| 15         | 0016906016      | HEX, HEAD BOLT                      | 4           |                      |
| 16         | M3270100104     | SELECTOR SWITCH .....               | 1           | XUSS01574            |
| 16A        | 047230402       | KNOB, SELECTOR SWITCH               | 1           |                      |
| 17         | M3276600004     | SPACER                              | 8           |                      |
| 18         | M3213600503     | SWITCH BRACKET                      | 1           |                      |
| 19         | 03300003330     | EDGING                              | 2           |                      |
| 20         | 0027104010      | MACHINE SCREW                       | 4           |                      |
| 21         | 0016906016      | HEX, HEAD BOLT                      | 6           |                      |
| 22         | M3213600604     | SWITCH COVER                        | 1           |                      |
| 23         | 0016906016      | HEX, HEAD BOLT                      | 4           |                      |
| 24         | 0016906016      | HEX, HEAD BOLT                      | 10          |                      |
| 24A        | 0040506000      | TOOTHED WASHER                      | 1           |                      |
| 25         | M3223000503     | CONTROL PANEL                       | 1           |                      |
| 26         | 0601807641      | FREQUENCY METER .....               | 1           | FCF-6 45~65Hz 240V   |
| 27         | 0601808988      | AC AMMETER .....                    | 1           | ACF-6 0~200A/400A:5A |
| 28         | 0601801040      | CHANGE-OVER SWITCH, AMMETER .....   | 1           | SL-2AS               |
| 29         | 0601806859      | AC VOLTMETER .....                  | 1           | SCF-6 0~600V         |
| 30         | 0601801041      | CHANGE-OVER SWITCH, VOLTMETER ..... | 1           | SL-2VS               |

# DCA-125USJ — CONTROL BOX ASSY.

CONTROL BOX ASSY.



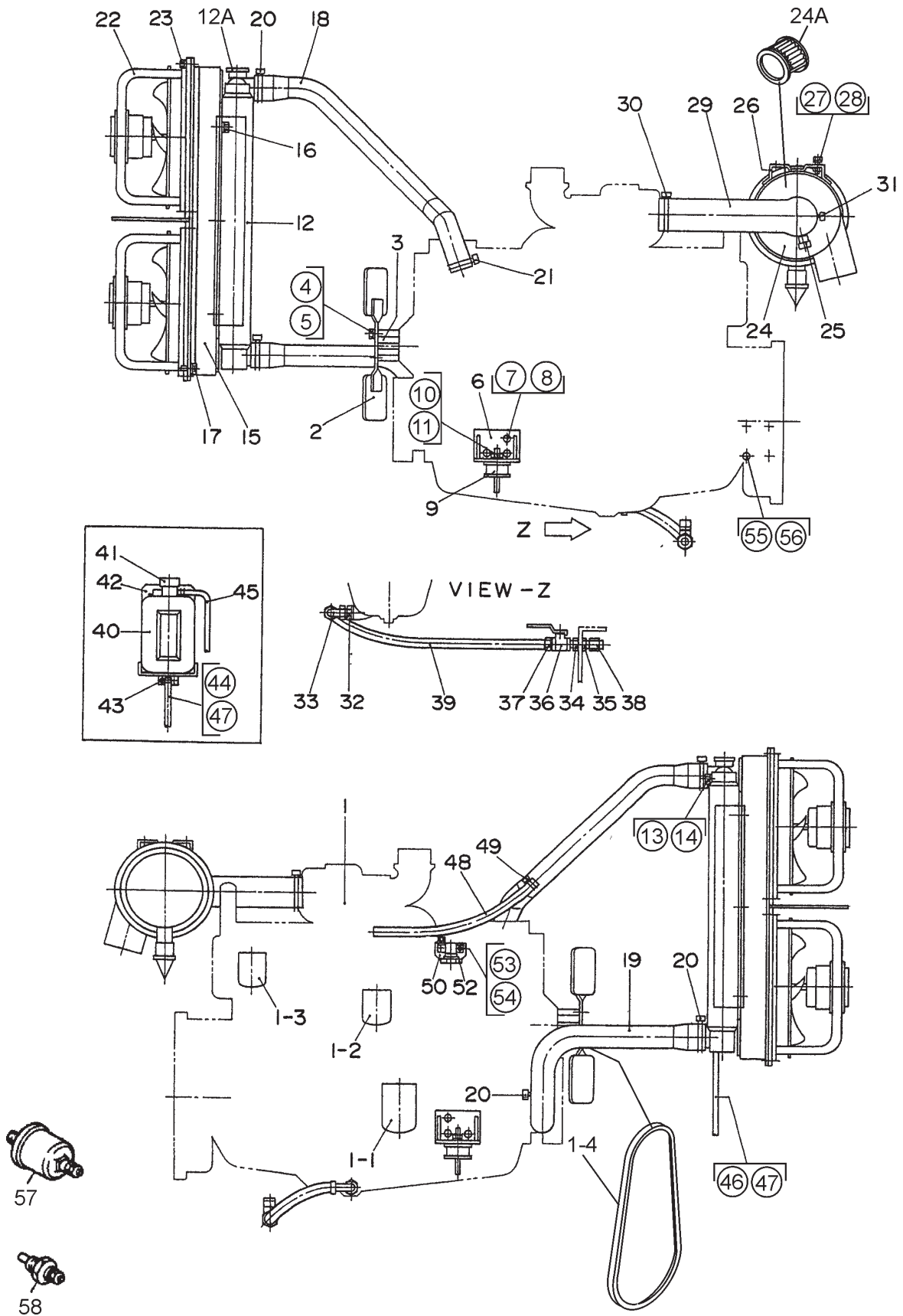
# DCA-125USJ — CONTROL BOX ASSY.

## CONTROL BOX ASSY.

| <u>NO.</u> | <u>PART NO.</u> | <u>PART NAME</u>                   | <u>QTY.</u> | <u>REMARKS</u>          |
|------------|-----------------|------------------------------------|-------------|-------------------------|
| 31         | 0601840073      | RHEOSTAT (VOLTAGE REGULATOR) ..... | 1           | RA20A2SE102BJ 2W 1k OHM |
| 32         | 0601840121      | KNOB                               | 1           |                         |
| 33         | ECU9988NJD      | CONTROLLER .....                   | 1           | REPLACES 0602202593     |
| 34         | 0601831340      | SWITCH .....                       | 1           | 7562K4                  |
| 35         | 0027104040      | MACHINE SCREW                      | 2           |                         |
| 35A        | 0207004000      | HEX, NUT                           | 2           |                         |
| 36         | 0602103092      | PREHEAT LAMP .....                 | 1           | PL-05                   |
| 36A        | 0601810245      | BULB                               | 1           |                         |
| 37         | 0602120096      | TACHOMETER .....                   | 1           | 111812                  |
| 38         | 0602122093      | OIL PRESSURE GAUGE .....           | 1           | 100174                  |
| 39         | 0602123092      | WATER TEMPERATURE GAUGE .....      | 1           | 100182                  |
| 40         | 0602121080      | CHARGING AMMETER .....             | 1           | 100158                  |
| 41         | 0602125090      | FUEL GAUGE .....                   | 1           | 100176                  |
| 42         | 0601810141      | PANEL LIGHT .....                  | 1           | 8826800370              |
| 43         | 0601831330      | SWITCH, PANEL LIGHT .....          | 1           | 90-0001                 |
| 44         | M1223100004     | STOPPER                            | 1           |                         |
| 45         | M3223100004     | STOPPER                            | 1           |                         |
| 46         | 0027105010      | MACHINE SCREW                      | 4           |                         |
| 47         | 0027105010      | MACHINE SCREW                      | 4           |                         |
| 48         | M9220100004     | SET SCREW                          | 2           |                         |
| 49         | 0080200007      | SNAP RING                          | 2           |                         |
| 50         | 0602202592      | STARTER RELAY .....                | 1           | AT141011                |
| 51         | 0027106018      | MACHINE SCREW                      | 2           |                         |
| 52         | LY2DDC12V       | RELAY                              | 1           |                         |
| 52A        | PTF08A          | BASE                               | 1           |                         |
| 52B        | PYCA1           | CLIP                               | 2           |                         |
| 53         | 0027104020      | MACHINE SCREW                      | 2           |                         |
| 54         | 0601823240      | RECTIFIER .....                    | 1           | DE4503                  |
| 57         | 0602122272      | UNIT, OIL PRESSURE .....           | 1           | 108497                  |
| 57A        | M9200100004     | ADAPTOR                            | 1           |                         |
| 58         | 0602123261      | UNIT, WATER TEMPERATURE .....      | 1           | 02025-00                |
| 58A        | 0602021109      | PACKING                            | 1           |                         |
| 60         | M3246701904     | WIRE HARNESS, GENERATOR            | 1           |                         |
| 61         | M3357201102     | WIRE HARNESS, ENGINE               | 1           |                         |
| 62         | M3357200304     | WIRE HARNESS, FUEL LEAK .....      | 1           | 8400041~                |
| 63         | 0601802149      | FUSE .....                         | 2           | F-106510A               |
| 64         | 0601823240      | RECTIFIER .....                    | 1           | DE4503                  |
| 65         | 0602103092      | ALARM LAMP, PL095 .....            | 1           | 8400041~                |
| 65A        | 0601810245      | BULB .....                         | 1           | 8400041~                |

# DCA-125USJ — ENGINE AND RADIATOR ASSY.

## ENGINE AND RADIATOR ASSY.



# DCA-125USJ — ENGINE AND RADIATOR ASSY.

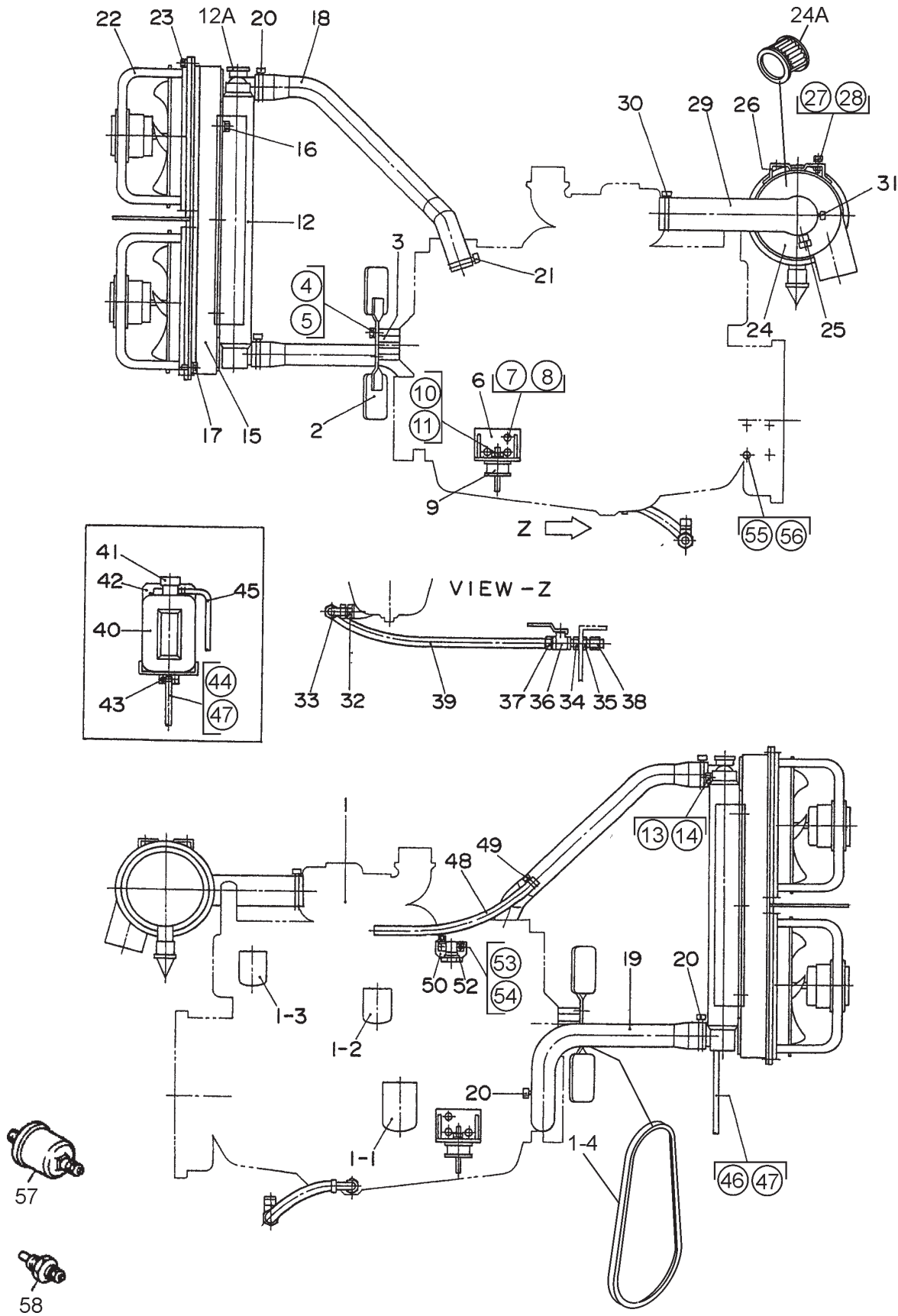
## ENGINE AND RADIATOR ASSY.

| <b>NO.</b> | <b>PART NO.</b> | <b>PART NAME</b>                      | <b>QTY.</b> | <b>REMARKS</b>       |
|------------|-----------------|---------------------------------------|-------------|----------------------|
| 1          | M3923200054     | ENGINE & RADIATOR SET .....           | 1           | JOHN DEERE 6068TF275 |
| 1-1        | 0602041292      | CARTRIDGE, OIL FILTER .....           | 1           | RE504836             |
| 1-2        | 0602042594      | CARTRIDGE, PRIMARY, FUEL FILTER ..... | 1           | RE517181             |
| 1-3        | 0602042595      | CARTRIDGE, FINAL, FUEL FILTER .....   | 1           | RE509031             |
| 1-4        | 0602011493      | FAN BELT .....                        | 1           | 2402                 |
| 2          | 0602060003      | BLOWER FAN .....                      | 1           | AT39247              |
| 3          | 0602061000      | FAN SPACER .....                      | 1           | R81911               |
| 4          | 0012110095      | HEX, HEAD BOLT                        | 4           |                      |
| 5          | 0042510000      | SPRING WASHER                         | 4           |                      |
| 6          | M2303200303     | ENGINE FOOT                           | 2           |                      |
| 7          | 0010312030      | HEX, HEAD BOLT                        | 6           |                      |
| 8          | 0040012000      | SPRING WASHER                         | 6           |                      |
| 9          | 0605000060      | RUBBER SUSPENSION                     | 2           |                      |
| 10         | 0030012000      | HEX, NUT                              | 2           |                      |
| 11         | 0040012000      | SPRING WASHER                         | 2           |                      |
| 12         | C0923200124     | RADIATOR                              | 1           |                      |
| 12A        | 0602011062      | CAP, RADIATOR                         | 1           |                      |
| 13         | M9200100904     | PLUG                                  | 1           |                      |
| 14         | 0150000016      | O RING                                | 1           |                      |
| 15         | M3131300103     | FAN BRACKET                           | 1           |                      |
| 16         | 0016910025      | HEX, HEAD BOLT                        | 6           |                      |
| 17         | 0016910025      | HEX, HEAD BOLT                        | 4           |                      |
| 18         | M3310500813     | RADIATOR HOSE                         | 1           |                      |
| 19         | M3310500903     | RADIATOR HOSE                         | 1           |                      |
| 20         | 0605515148      | HOSE BAND                             | 3           |                      |
| 21         | 0605515147      | HOSE BAND                             | 1           |                      |
| 22         | 0601822794      | FAN MOTOR                             | 2           |                      |
| 23         | 0017110035      | HEX, HEAD BOLT                        | 8           |                      |
| 24         | 0602046258      | AIR CLEANER .....                     | 1           | FRG100297            |
| 24A        | 0602046377      | ELEMENT, AIR CLEANER .....            | 1           | P778214              |
| 25         | 0602040650      | INDICATOR, AIR CLEANER .....          | 1           | RBX00-2252           |
| 26         | 0602040596      | BAND, AIR CLEANER                     | 2           |                      |
| 27         | 0016908020      | HEX, HEAD BOLT                        | 4           |                      |
| 28         | 0207008000      | HEX, NUT                              | 4           |                      |
| 29         | M3373100003     | HOSE, AIR CLEANER                     | 1           |                      |
| 30         | 0605515146      | HOSE BAND                             | 1           |                      |



# DCA-125USJ — ENGINE AND RADIATOR ASSY.

## ENGINE & RADIATOR ASSY.



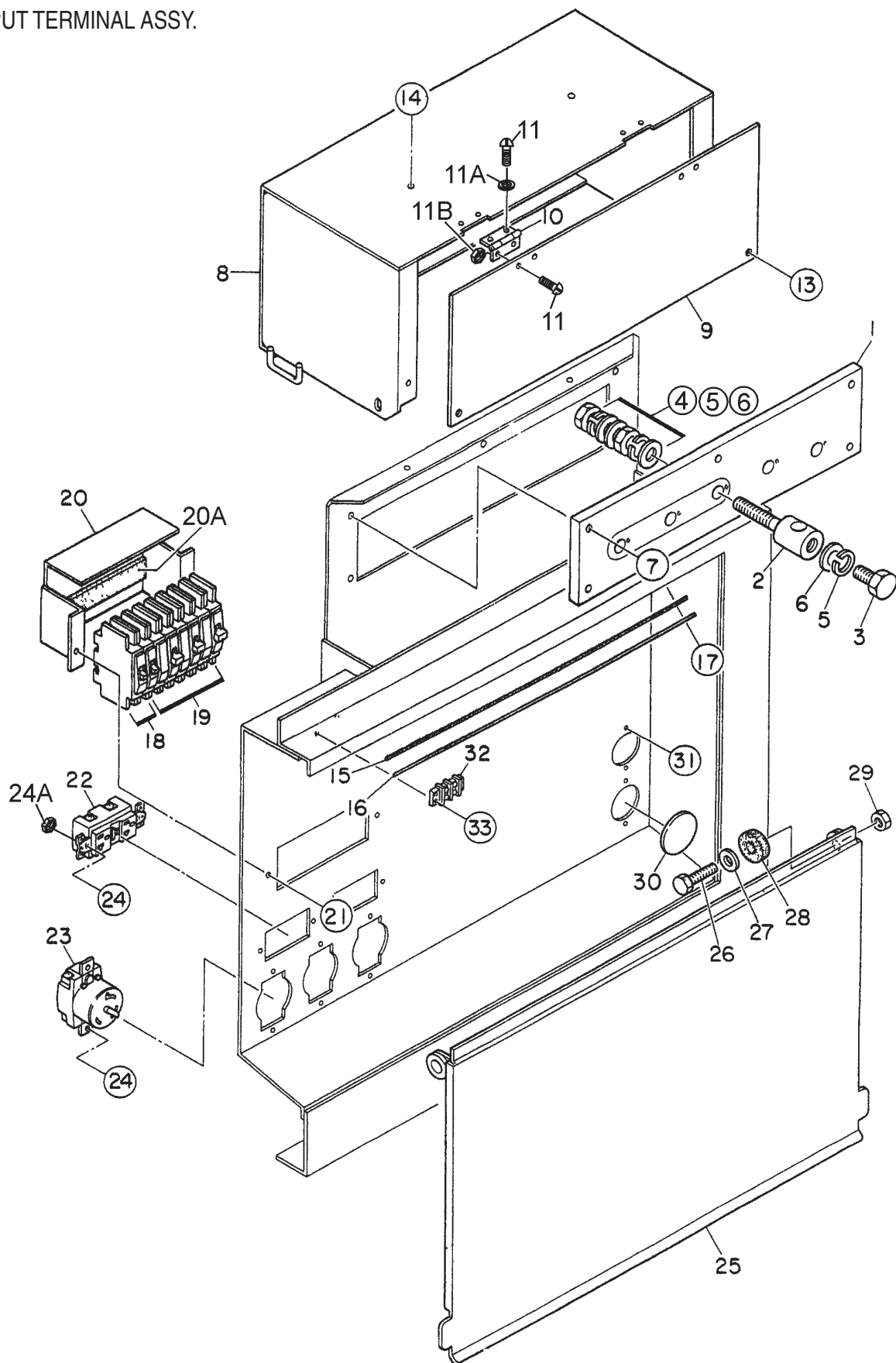
# DCA-125USJ — ENGINE AND RADIATOR ASSY.

## ENGINE & RADIATOR ASSY.

| <u>NO.</u> | <u>PART NO.</u> | <u>PART NAME</u>       | <u>QTY.</u> | <u>REMARKS</u> |
|------------|-----------------|------------------------|-------------|----------------|
| 31         | 0605515197      | HOSE BAND              | 1           |                |
| 32         | 0602022563      | ADAPTER                | 1           |                |
| 33         | 0602022561      | 90 DEGREE ELBOW        | 1           |                |
| 34         | 0603306590      | CONNECTOR              | 1           |                |
| 35         | 0603300285      | ROCKNUT                | 1           |                |
| 36         | 0605511395      | VALVE                  | 1           |                |
| 37         | 0603306395      | HOSE JOINT             | 1           |                |
| 38         | 0602021070      | CAP                    | 1           |                |
| 39         | 0269200450      | DRAIN HOSE             | 1           |                |
| 40         | M9300000203     | RESERVE TANK           | 1           |                |
| 41         | 0602010900      | CAP, RESERVE TANK      | 1           |                |
| 42         | M3316100303     | BRACKET, RESERVE TANK  | 1           |                |
| 43         | 0016908020      | HEX, HEAD BOLT         | 3           |                |
| 44         | 0199102200      | HOSE                   | 1           |                |
| 45         | 0193600700      | HOSE                   | 1           |                |
| 46         | 0193601000      | HOSE                   | 1           |                |
| 47         | 0605515106      | HOSE BAND              | 3           |                |
| 48         | M3326000204     | BLOWBY HOSE            | 1           |                |
| 49         | 0605515149      | HOSE BAND              | 1           |                |
| 50         | M3260600104     | RELAY BRACKET          | 1           |                |
| 52         | 0602202592      | RELAY .....            | 1           | AT141011       |
| 53         | 0027106016      | MACHINE SCREW          | 2           |                |
| 54         | 0030006000      | HEX, NUT               | 2           |                |
| 55         | 0017112025      | HEX, HEAD BOLT         | 1           |                |
| 56         | 0040512000      | TOOTHED WASHER         | 1           |                |
| 57         | 0602122281      | SENDER, OIL PRESSURE   | 1           |                |
| 58         | 0602123282      | SENDER, WATER PRESSURE | 1           |                |

# DCA-125USJ — OUTPUT TERMINAL ASSY.

OUTPUT TERMINAL ASSY.



# DCA-125USJ — OUTPUT TERMINAL ASSY.

## OUTPUT TERMINAL ASSY.

| <u>NO.</u> | <u>PART NO.</u> | <u>PART NAME</u>                  | <u>QTY.</u> | <u>REMARKS</u>             |
|------------|-----------------|-----------------------------------|-------------|----------------------------|
| 1          | M3230700003     | TERMINAL PANEL                    | 1           |                            |
| 2          | M9220100304     | OUTPUT TERMINAL BOLT              | 5           |                            |
| 3          | M9220100404     | TIE BOLT                          | 5           |                            |
| 4          | 0039316000      | HEX, NUT                          | 10          |                            |
| 5          | 0040016000      | SPRING WASHER                     | 15          |                            |
| 6          | 0041416000      | PLAIN WASHER                      | 20          |                            |
| 7          | 0016908035      | HEX, HEAD BOLT                    | 5           |                            |
| 8          | M3236100503     | TERMINAL COVER                    | 1           |                            |
| 9          | M3236100404     | OUTPUT WINDOW                     | 1           |                            |
| 10         | 0605010040      | HINGE                             | 2           |                            |
| 11         | 0027103010      | MACHINE SCREW                     | 4           |                            |
| 11A        | 0030003000      | HEX, NUT                          | 4           |                            |
| 11B        | 0041203000      | PLAIN WASHER                      | 4           |                            |
| 12         | 0027103010      | MACHINE SCREW                     | 4           |                            |
| 12A        | 0030003000      | HEX, NUT                          | 4           |                            |
| 13         | 0016906020      | HEX, HEAD BOLT                    | 2           |                            |
| 14         | 0016906016      | HEX, HEAD BOLT                    | 4           |                            |
| 15         | M3236400004     | CABLE OUTLET COVER                | 1           |                            |
| 16         | M3236300004     | SUPPORTER, CABLE OUTLET COVER     | 1           |                            |
| 17         | 0016906020      | HEX, HEAD BOLT                    | 6           |                            |
| 18         | 0601808803      | CIRCUIT BREAKER, 1-POLE 20A ..... | 2           | ..... QOU 120B             |
| 19         | 0601808804      | CIRCUIT BREAKER, 2-POLE 50A ..... | 3           | ..... QOU 250B             |
| 20         | M1260700304     | BREAKER FITTING COVER             | 1           |                            |
| 20A        | 022100150       | CUSHION RUBBER                    | 1           |                            |
| 21         | 0016906020      | HEX, HEAD BOLT                    | 2           |                            |
| 22         | 0601812598      | RECEPTACLE .....                  | 2           | ..... GF530EM 125V 20A X 2 |
| 23         | 0601812538      | RECEPTACLE .....                  | 3           | ..... CS6369 250V 50A      |
| 24         | 0027104016      | MACHINE SCREW                     | 10          |                            |
| 24A        | 0207004000      | HEX, NUT                          | 10          |                            |
| 25         | M3236100213     | TERMINAL COVER                    | 1           |                            |
| 26         | 0010112045      | HEX, HEAD BOLT                    | 2           |                            |
| 27         | 0041212000      | PLAIN WASHER                      | 2           |                            |
| 28         | M9310200004     | STAY RUBBER                       | 2           |                            |
| 29         | 0030012000      | HEX, NUT                          | 2           |                            |
| 30         | 0603306775      | BLIND PLUG                        | 2           |                            |
| 31         | 0027104016      | MACHINE SCREW                     | 4           |                            |
| 32         | 0601815194      | TERMINAL                          | 1           |                            |
| 33         | 0027104016      | MACHINE SCREW                     | 2           |                            |

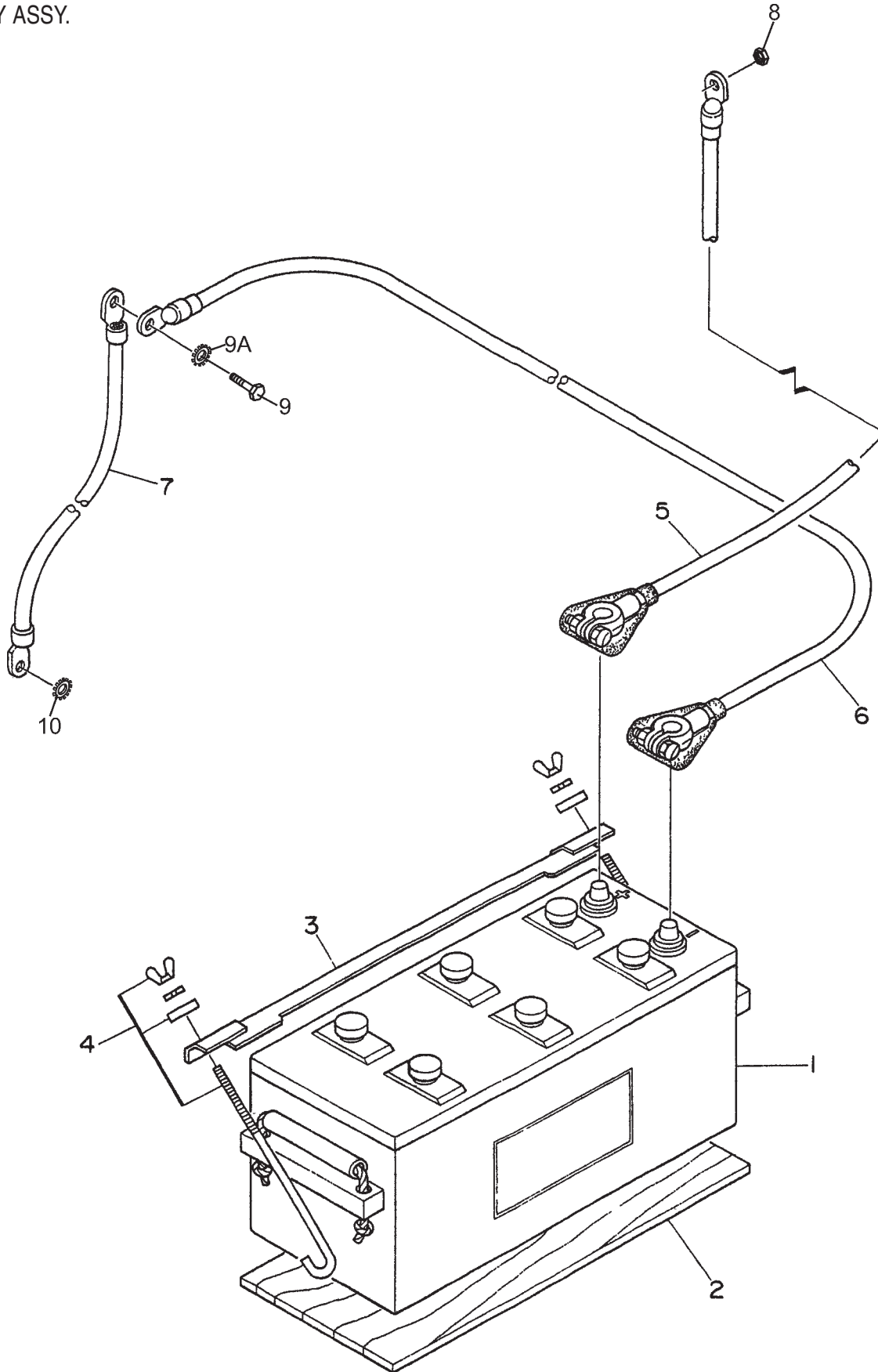
ADD THE FOLLOWING DIGITS AFTER THE PART NUMBER WHEN ORDERING ANY PAINTED PANEL TO INDICATE COLOR OF UNIT:

|                 |                      |
|-----------------|----------------------|
| 1-ORANGE        | 5-BLACK              |
| 2-WHITE         | 6-CATERPILLAR YELLOW |
| 3-SPECTRUM GREY | 7-CATO GOLD          |
| 4-SUNBELT GREEN | 8-RED                |

THE SERIAL NUMBER MAY BE REQUIRED.

# DCA-125USJ — BATTERY ASSY.

BATTERY ASSY.



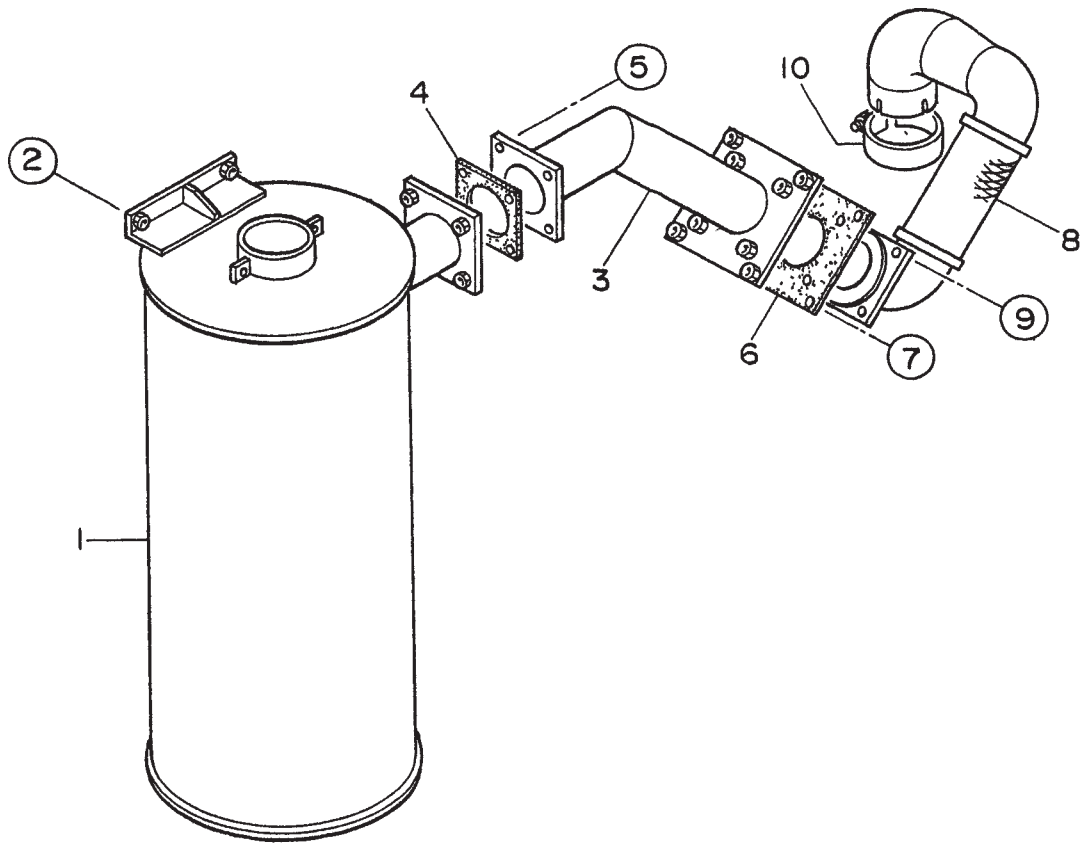
# DCA-125USJ — BATTERY ASSY.

## BATTERY ASSY.

| <u>NO.</u> | <u>PART NO.</u> | <u>PART NAME</u> | <u>QTY.</u> | <u>REMARKS</u> |
|------------|-----------------|------------------|-------------|----------------|
| 1          | 0602220196      | BATTERY .....    | 1 .....     | 4D-2           |
| 2          | M9310500404     | BATTERY SHEET    | 1           |                |
| 3          | M9103000504     | BATTERY BAND     | 1           |                |
| 4          | 0602220921      | BATTERY BOLT SET | 2           |                |
| 5          | M3346900904     | BATTERY CABLE    | 1           |                |
| 6          | M3346901004     | BATTERY CABLE    | 1           |                |
| 7          |                 | CABLE .....      | 1 .....     | MAKE LOCALLY   |
| 8          | 0030012000      | HEX, NUT         | 1           |                |
| 8A         | 0040012000      | SPRING WASHER    | 1           |                |
| 9          | 0017112025      | HEX, HEAD BOLT   | 1           |                |
| 9A         | 0040512000      | TOOTHED WASHER   | 1           |                |
| 10         | 0040520000      | TOOTHED WASHER   | 1           |                |

# DCA-125USJ — MUFFLER ASSY.

MUFFLER ASSY.





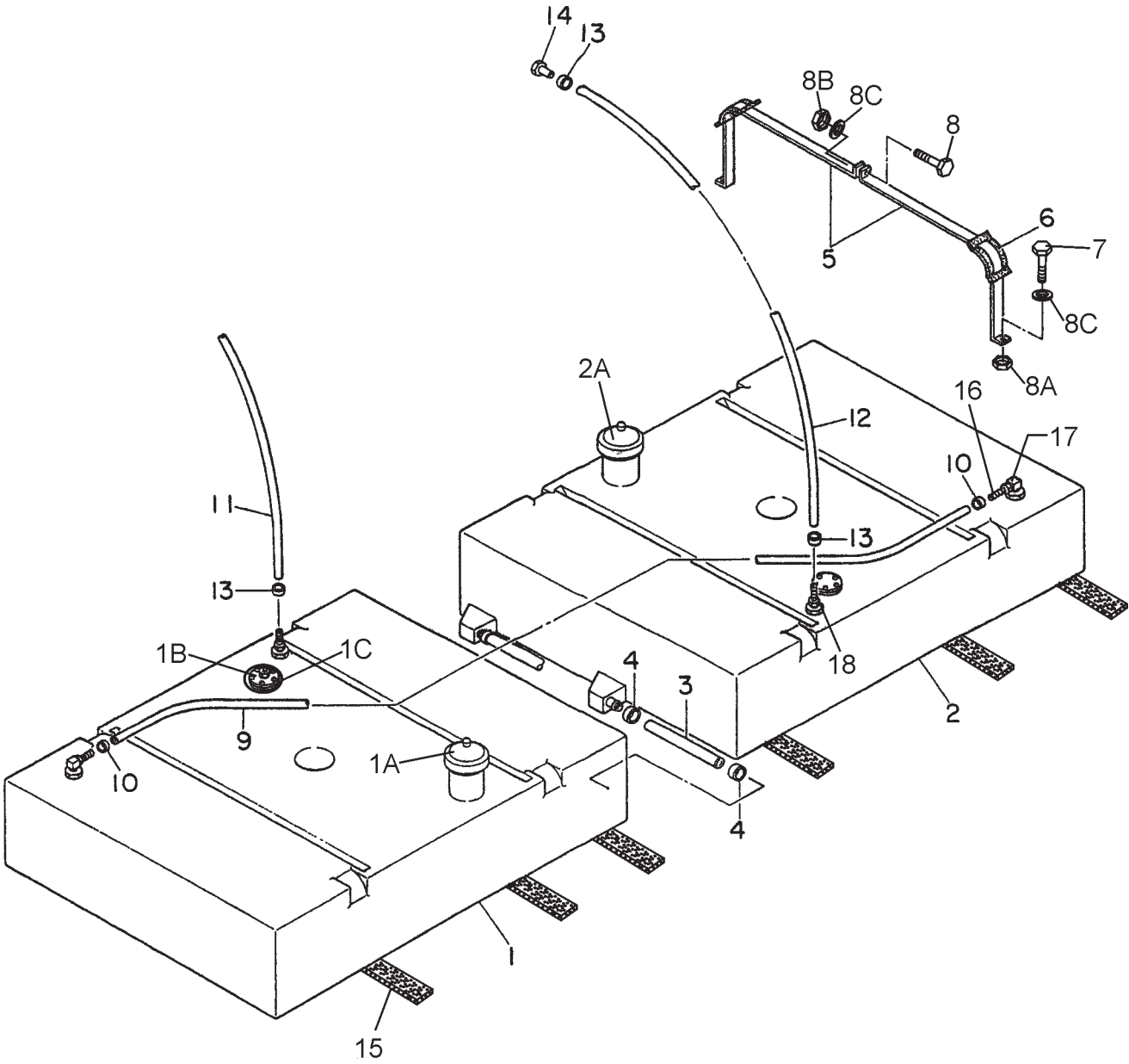
# DCA-125USJ — MUFFLER ASSY.

## MUFFLER ASSY.

| <u>NO.</u> | <u>PART NO.</u> | <u>PART NAME</u>     | <u>QTY.</u> | <u>REMARKS</u> |
|------------|-----------------|----------------------|-------------|----------------|
| 1          | M3330100402     | MUFFLER              | 1           |                |
| 2          | 0017112030      | HEX, HEAD BOLT       | 4           |                |
| 3          | M3333000903     | EXHAUST PIPE         | 1           |                |
| 4          | M3333200304     | GASKET               | 1           |                |
| 5          | 0017110040      | HEX, HEAD BOLT       | 4           |                |
| 6          | M3333200204     | GASKET               | 1           |                |
| 7          | 0017108040      | HEX, HEAD BOLT       | 4           |                |
| 7          | 0017110035      | HEX, HEAD BOLT ..... | 4           | S/N 8500015~   |
| 8          | M3333000803     | EXHAUST PIPE         | 1           |                |
| 9          | 0016908055      | HEX, HEAD BOLT       | 4           |                |
| 9          | 0017110050      | HEX, HEAD BOLT ..... | 4           | S/N 8500015~   |
| 10         | 0602325066      | CLAMP                | 1           |                |

# DCA-125USJ — FUEL TANK ASSY.

FUEL TANK ASSY.



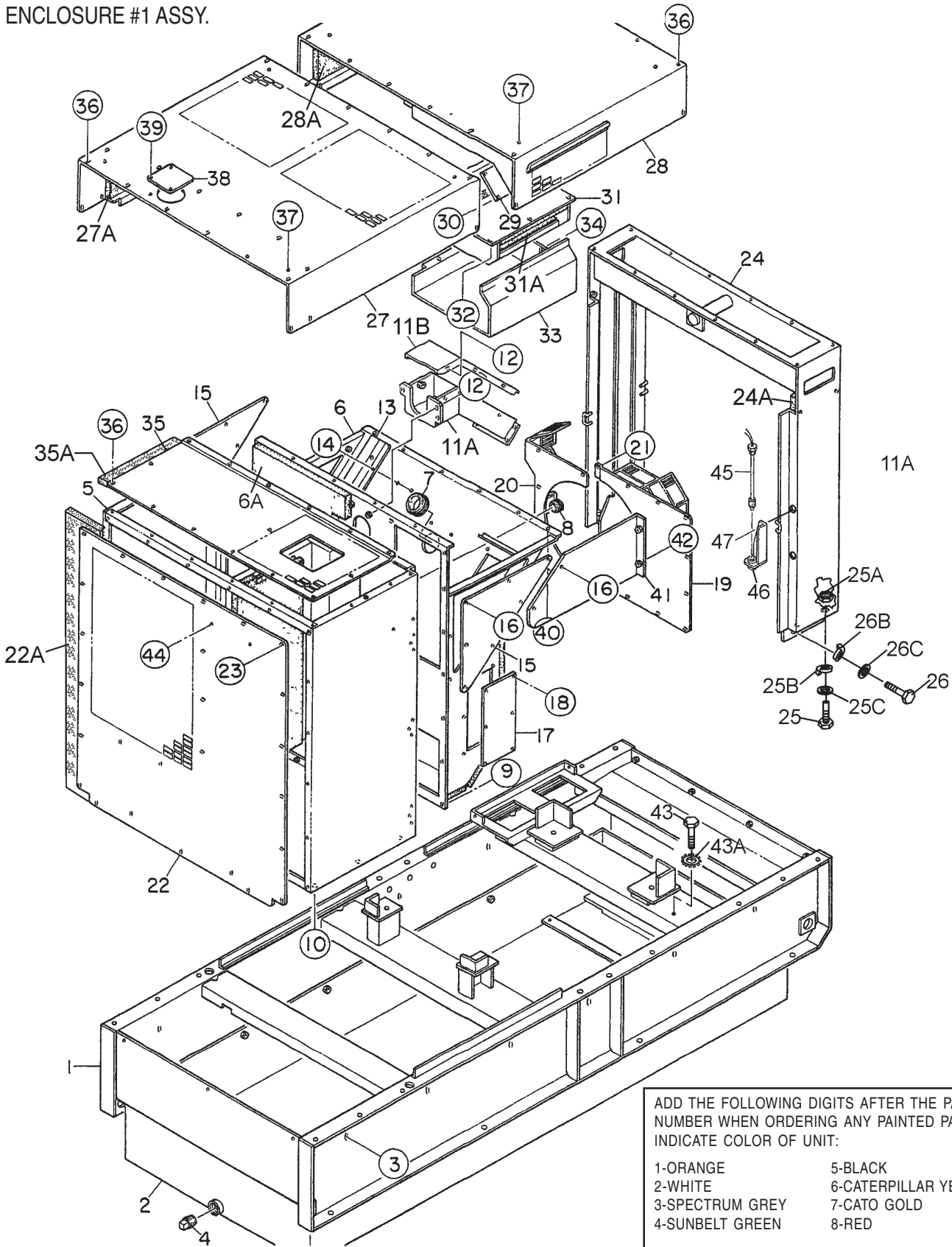
# DCA-125USJ — FUEL TANK ASSY.

## FUEL TANK ASSY.

| <u>NO.</u> | <u>PART NO.</u> | <u>PART NAME</u>      | <u>QTY.</u> | <u>REMARKS</u> |
|------------|-----------------|-----------------------|-------------|----------------|
| 1          | M3363001402     | FUEL TANK             | 1           |                |
| 1A         | 0605505070      | FUEL TANK CAP         | 1           |                |
| 1B         | 0605501074      | FUEL SENDER UNIT      | 1           |                |
| 1C         | 0605516090      | GASKET                | 1           |                |
| 2          | M3363001504     | FUEL TANK             | 1           |                |
| 2A         | 0605505070      | FUEL TANK CAP         | 1           |                |
| 3          | 0191700260      | CONNECT HOSE          | 2           |                |
| 4          | 0605515149      | HOSE BAND             | 4           |                |
| 5          | M3363200404     | TANK BAND             | 8           |                |
| 6          | M9310500104     | SUPPORTER SHEET       | 8           |                |
| 7          | 0016908020      | HEX, HEAD BOLT        | 8           |                |
| 8          | 0016908055      | HEX, HEAD BOLT        | 4           |                |
| 8A         | 0030008000      | HEX, NUT              | 8           |                |
| 8B         | 0207308000      | HEX, NUT              | 4           |                |
| 8C         | 0041208000      | PLAIN WASHER          | 12          |                |
| 9          | 0191302500      | VENT HOSE             | 1           |                |
| 10         | 0605515109      | HOSE BAND             | 2           |                |
| 11         | 0191301200      | SUCTION HOSE          | 1           |                |
| 12         | 0191301200      | RETURN HOSE           | 1           |                |
| 13         | 0605515109      | HOSE BAND             | 4           |                |
| 14         | 0602042601      | RETURN PIPE .....     | 1           | ..... RE67050  |
| 15         | 0222101000      | TANK SHEET            | 6           |                |
| 16         | 0605512190      | HOSE JOINT            | 1           |                |
| 17         | 0605511190      | PICKUP ELBOW          | 1           |                |
| 18         | 0605512191      | HOSE JOINT 1/4-18 NPT | 1           |                |

# DCA-125USJ — ENCLOSURE #1 ASSY.

ENCLOSURE #1 ASSY.



ADD THE FOLLOWING DIGITS AFTER THE PART NUMBER WHEN ORDERING ANY PAINTED PANEL TO INDICATE COLOR OF UNIT:

- |                 |                      |
|-----------------|----------------------|
| 1-ORANGE        | 5-BLACK              |
| 2-WHITE         | 6-CATERPILLAR YELLOW |
| 3-SPECTRUM GREY | 7-CATO GOLD          |
| 4-SUNBELT GREEN | 8-RED                |

THE SERIAL NUMBER MAY BE REQUIRED.

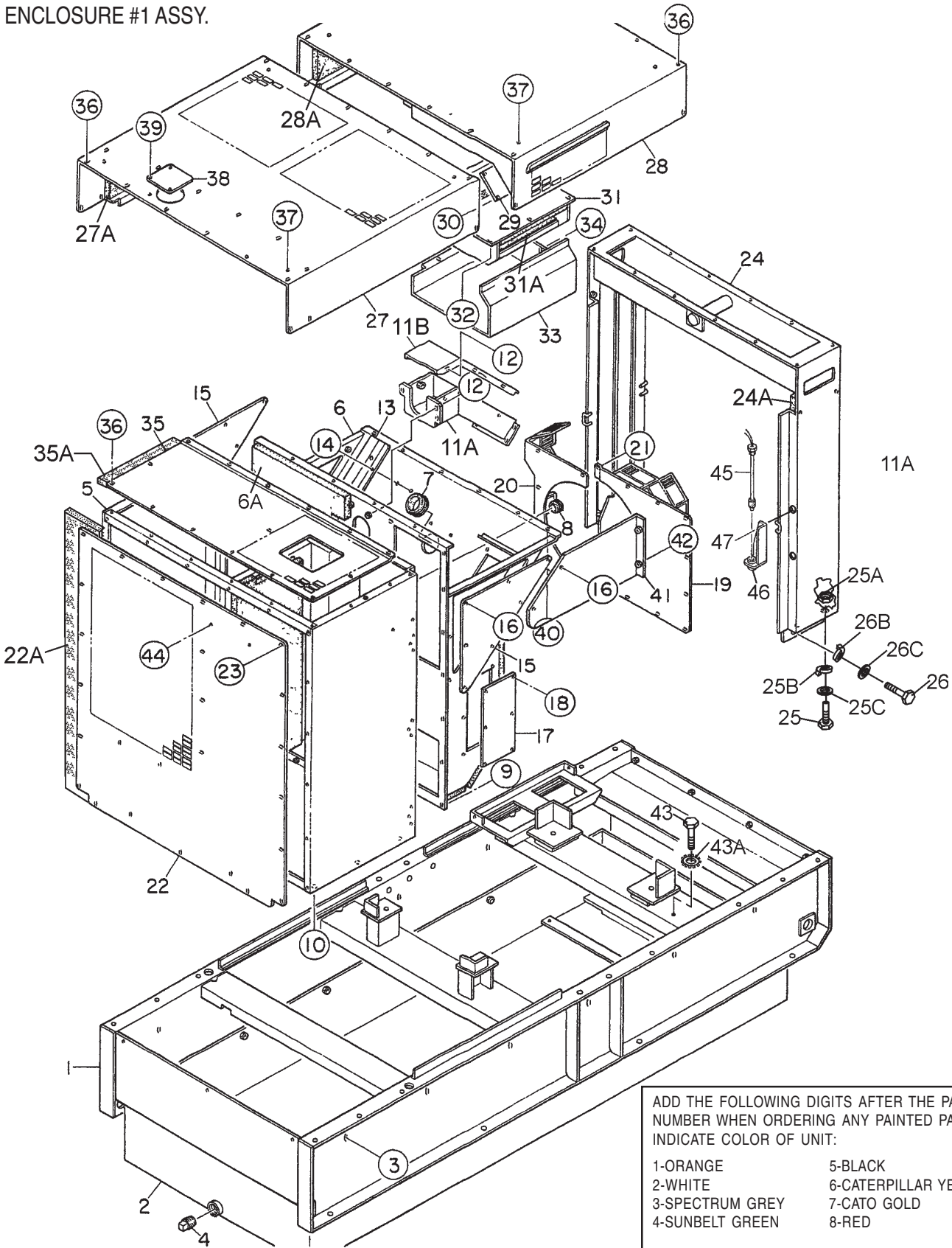
# DCA-125USJ — ENCLOSURE #1 ASSY.

## ENCLOSURE #1 ASSY.

| <u>NO.</u> | <u>PART NO.</u> | <u>PART NAME</u>         | <u>QTY.</u> | <u>REMARKS</u>         |
|------------|-----------------|--------------------------|-------------|------------------------|
| 1          | M3413001812     | BASE                     | 1           |                        |
| 2          | M3363300303     | ENVIRONMENTAL TANK       | 1           |                        |
| 3          | 0016910030      | HEX, HEAD BOLT           | 12          |                        |
| 4          | 0603306797      | PLUG                     | 1           |                        |
| 5          | M3423001202     | FRONT FRAME .....        | 1           | S/N 8500001 TO 8500040 |
| 5          | M3423001602     | FRONT FRAME .....        | 1           | S/N 8500041~           |
| 5A         | M3493107813     | ACOUSTIC SHEET .....     | 1           | S/N 8500001 TO 8500035 |
| 5A         | M3493107823     | ACOUSTIC SHEET .....     | 1           | S/N 8500036 TO 8400040 |
| 5A         | M3493111303     | ACOUSTIC SHEET .....     | 1           | S/N 8500041~           |
| 6          | M3423001302     | FRONT FRAME .....        | 1           | S/N 8500001 TO 8500040 |
| 6          | M3423001702     | FRONT FRAME .....        | 1           | S/N 8500041~           |
| 6A         | M3493107813     | ACOUSTIC SHEET .....     | 1           | S/N 8500001 TO 8500035 |
| 6A         | M3493107823     | ACOUSTIC SHEET .....     | 1           | S/N 8500036 TO 8500040 |
| 6A         | M3493111303     | ACOUSTIC SHEET .....     | 1           | S/N 8500041~           |
| 7          | 0601851739      | GROMMET .....            | 1           | S/N 8500036 TO 8500040 |
| 8          | 0601850100      | GROMMET .....            | 1           |                        |
| 9          | 0016908020      | HEX, HEAD BOLT           | 26          |                        |
| 10         | 0016910025      | HEX, HEAD BOLT           | 6           |                        |
| 11         | M3131400203     | HOSE COVER .....         | 1           | S/N 8500001 TO 8500040 |
| 11A        | M3131400103     | HOSE COVER .....         | 1           | S/N 8500041~           |
| 11B        | M3131400004     | HOSE COVER .....         | 1           | S/N 8500041~           |
| 12         | 0016908020      | HEX, HEAD BOLT .....     | 4           | S/N 8500001 TO 8500040 |
| 12         | 0016906020      | HEX, HEAD BOLT .....     | 13          | S/N 8500041~           |
| 13         | M3423500104     | BRACKET                  | 1           |                        |
| 14         | 0016906016      | HEX, HEAD BOLT           | 6           |                        |
| 15         | M3423200704     | DUCT COVER               | 2           |                        |
| 16         | 0016906020      | HEX, HEAD BOLT           | 14          |                        |
| 17         | M3423200804     | DUCT COVER               | 1           |                        |
| 18         | 0016906016      | HEX, HEAD BOLT           | 6           |                        |
| 19         | M3310300104     | FAN SHROUD               | 1           |                        |
| 20         | M3310300004     | FAN SHROUD               | 1           |                        |
| 21         | 0016906020      | HEX, HEAD BOLT           | 14          |                        |
| 22         | M3423201003     | COVER, FRONT FRAME ..... | 1           | S/N 8500001 TO 8500035 |
| 22         | M3423201203     | COVER, FRONT FRAME ..... | 1           | S/N 8500036 TO 8500322 |
| 22         | M3423201703     | COVER, FRONT FRAME ..... | 1           | S/N 8500323 ~          |
| 22A        | M3493107904     | ACOUSTIC SHEET           | 1           |                        |
| 23         | 0016908020      | HEX, HEAD BOLT .....     | 26          | S/N 8500001 TO 8500040 |
| 23         | 0019208020      | HEX, HEAD BOLT .....     | 26          | S/N 8500041~           |
| 24         | M3433000803     | CENTER FRAME .....       | 1           | S/N 8500001 TO 8500035 |
| 24         | M3433000813     | CENTER FRAME .....       | 1           | S/N 8500036~           |

# DCA-125USJ — ENCLOSURE #1 ASSY.

ENCLOSURE #1 ASSY.



ADD THE FOLLOWING DIGITS AFTER THE PART NUMBER WHEN ORDERING ANY PAINTED PANEL TO INDICATE COLOR OF UNIT:

- |                 |                      |
|-----------------|----------------------|
| 1-ORANGE        | 5-BLACK              |
| 2-WHITE         | 6-CATERPILLAR YELLOW |
| 3-SPECTRUM GREY | 7-CATO GOLD          |
| 4-SUNBELT GREEN | 8-RED                |

THE SERIAL NUMBER MAY BE REQUIRED.

# DCA-125USJ — ENCLOSURE #1 ASSY.

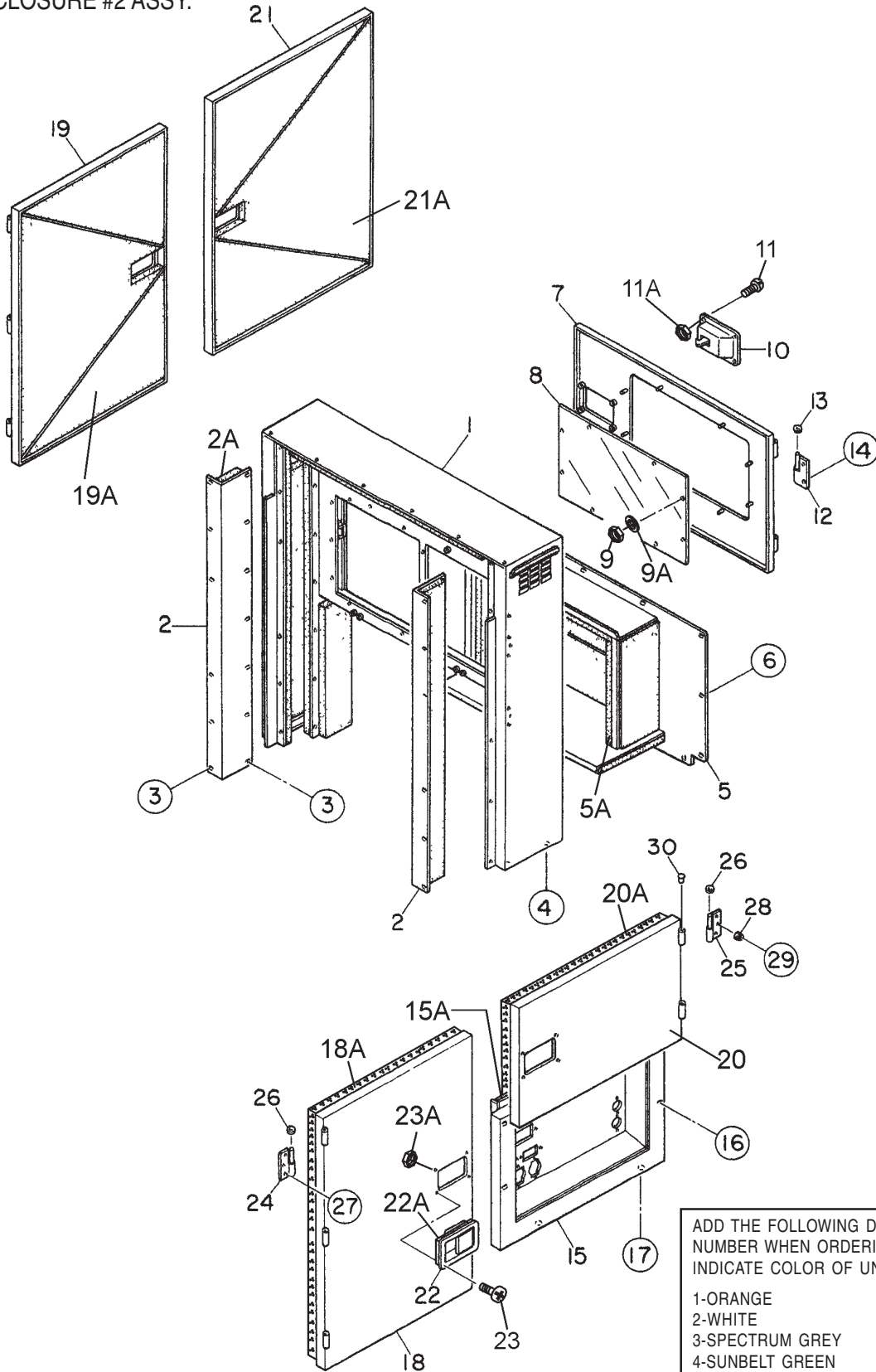
## ENCLOSURE #1 ASSY.

| <u>NO.</u> | <u>PART NO.</u> | <u>PART NAME</u>                 | <u>QTY.</u> | <u>REMARKS</u>         |
|------------|-----------------|----------------------------------|-------------|------------------------|
| 24A        | M3493200614     | ACOUSTIC SHEET .....             | 1 .....     | S/N 8500001 TO 8500040 |
| 24A        | M3493201204     | ACOUSTIC SHEET .....             | 1 .....     | S/N 8500041~           |
| 25         | 0010114040      | HEX, HEAD BOLT                   | 4           |                        |
| 25A        | 0030014000      | HEX, NUT                         | 4           |                        |
| 25B        | 0040014000      | SPRING WASHER                    | 4           |                        |
| 25C        | 0041214000      | PLAIN WASHER                     | 8           |                        |
| 26         | 0010120050      | HEX, HEAD BOLT                   | 4           |                        |
| 26A        | 0030020000      | HEX, NUT                         | 4           |                        |
| 26B        | 0040020000      | SPRING WASHER                    | 4           |                        |
| 26C        | 0041220000      | PLAIN WASHER                     | 8           |                        |
| 27         | M3463100802     | ROOF PANEL                       | 1           |                        |
| 27A        | M3493503914     | ACOUSTIC SHEET                   | 1           |                        |
| 28         | M3463200502     | ROOF PANEL                       | 1           |                        |
| 28A        | M3493504003     | ACOUSTIC SHEET                   | 1           |                        |
| 29         | M3463200704     | BACK PLATE                       | 1           |                        |
| 30         | 0016906016      | HEX, HEAD BOLT                   | 6           |                        |
| 31         | M3463200803     | DUCT                             | 1           |                        |
| 31A        | M3493504104     | ACOUSTIC SHEET                   | 1           |                        |
| 32         | 0016908020      | HEX, HEAD BOLT                   | 8           |                        |
| 33         | M3463400003     | DUCT COVER                       | 1           |                        |
| 34         | 0016908020      | HEX, HEAD BOLT                   | 6           |                        |
| 35         | M3423200604     | OVER COVER, FRONT FRAME          | 1           |                        |
| 35A        | M3493108004     | ACOUSTIC SHEET                   | 1           |                        |
| 36         | 0016908020      | HEX, HEAD BOLT .....             | 49 .....    | S/N 8500001 TO 8500040 |
| 36         | 0019208020      | HEX, HEAD BOLT .....             | 49 .....    | S/N 8500041~           |
| 37         | 0016910025      | HEX, HEAD BOLT .....             | 8 .....     | S/N 8500001 TO 8500040 |
| 37         | 0019210025      | HEX, HEAD BOLT .....             | 8 .....     | S/N 8500041~           |
| 38         | M3310600004     | COVER, RADIATOR CAP              | 1           |                        |
| 39         | 0016908020      | HEX, HEAD BOLT                   | 4           |                        |
| 40         | 0016908020      | HEX, HEAD BOLT                   | 6           |                        |
| 41         | M3483100004     | COVER, EXHAUST PIPE              | 1           |                        |
| 42         | 0016908020      | HEX, HEAD BOLT .....             | 2 .....     | S/N 8500001 TO 8500040 |
| 43         | 0016908020      | HEX, HEAD BOLT .....             | 1 .....     | S/N 8500041~           |
| 43A        | 0040508000      | TOOTHED WASHER                   | 1           |                        |
| 44         | 0016906016      | HEX, HEAD BOLT .....             | 2 .....     | S/N 8500001 TO 8500035 |
| 45         | 0605503062      | FUEL LEAK DETECTION SWITCH ..... | 1 .....     | S/N 840003~            |
| 46         | M1414800104     | BRACKET .....                    | 1 .....     | S/N 840003~            |
| 47         | 0017108020      | HEX HEAD BOLT .....              | 2 .....     | S/N 840003~            |



# DCA-125USJ — ENCLOSURE #2 ASSY.

ENCLOSURE #2 ASSY.



ADD THE FOLLOWING DIGITS AFTER THE PART NUMBER WHEN ORDERING ANY PAINTED PANEL TO INDICATE COLOR OF UNIT:

- |                 |                      |
|-----------------|----------------------|
| 1-ORANGE        | 5-BLACK              |
| 2-WHITE         | 6-CATERPILLAR YELLOW |
| 3-SPECTRUM GREY | 7-CATO GOLD          |
| 4-SUNBELT GREEN | 8-RED                |

THE SERIAL NUMBER MAY BE REQUIRED.

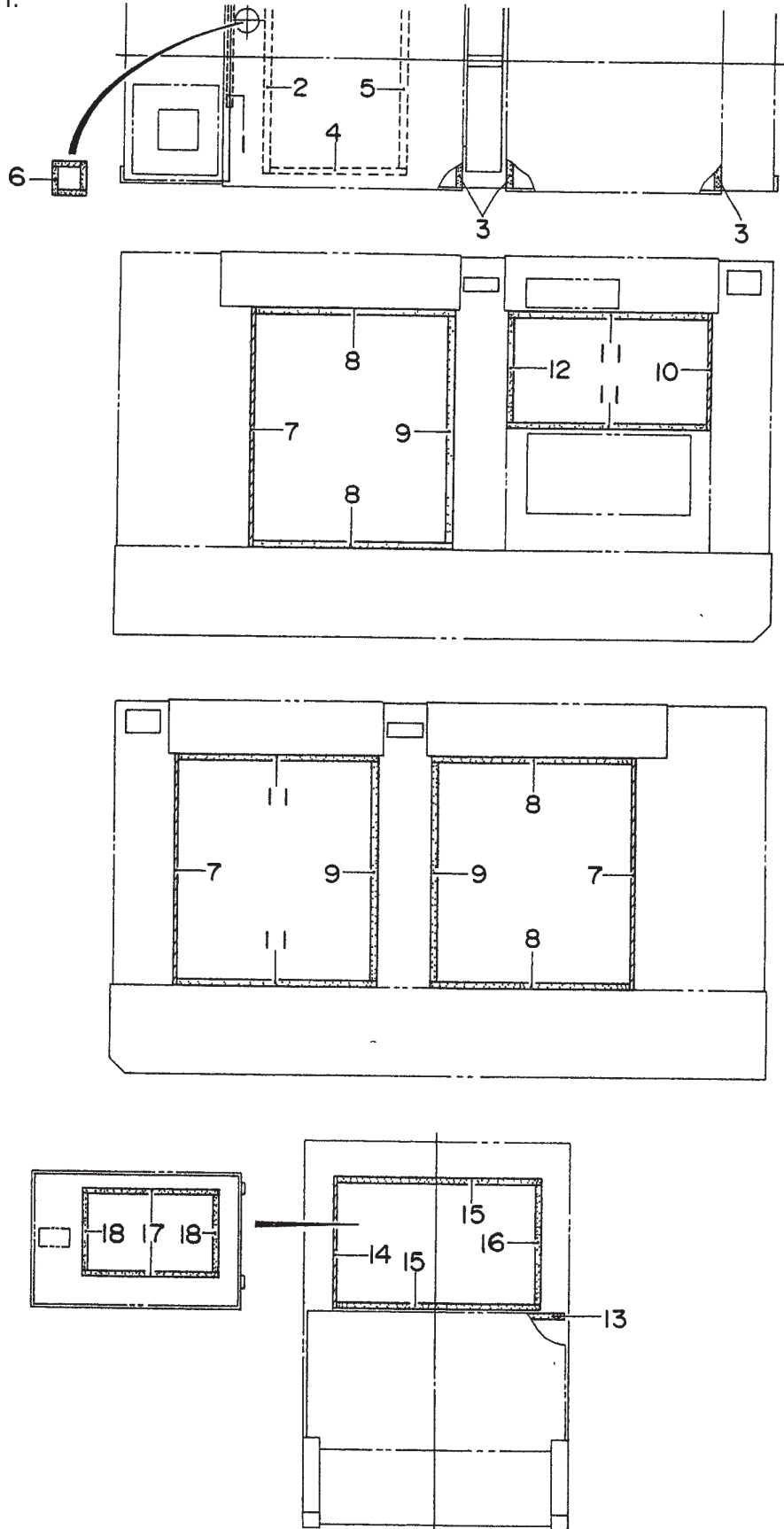
# DCA-125USJ — ENCLOSURE #2 ASSY.

## ENCLOSURE #2 ASSY.

| <u>NO.</u> | <u>PART NO.</u> | <u>PART NAME</u>     | <u>QTY.</u> | <u>REMARKS</u>         |
|------------|-----------------|----------------------|-------------|------------------------|
| 1          | M3443000802     | REAR FRAME .....     | 1           | S/N 8500001 TO 8500035 |
| 1          | M3443000812     | REAR FRAME .....     | 1           | S/N 8500036~           |
| 1A         | M3493303203     | ACOUSTIC SHEET       | 1           |                        |
| 2          | M3443000904     | DUCT .....           | 2           | S/N 8500001 TO 8500035 |
| 2          | M3443000914     | DUCT .....           | 2           | S/N 8500036~           |
| 2A         | M3493303304     | ACOUSTIC SHEET       | 2           |                        |
| 3          | 0016908020      | HEX, HEAD BOLT       | 26          |                        |
| 4          | 0016910025      | HEX, HEAD BOLT       | 4           |                        |
| 5          | M3443301003     | COVER, REAR FRAME    | 1           |                        |
| 5A         | M3493303404     | ACOUSTIC SHEET       | 1           |                        |
| 6          | 0016908020      | HEX, HEAD BOLT       | 13          |                        |
| 7          | M3443200503     | DOOR, REAR FRAME     | 1           |                        |
| 8          | M3443600304     | WINDOW PLATE         | 1           |                        |
| 9          | 0207306000      | HEX, NUT             | 8           |                        |
| 9A         | 0041206000      | PLAIN WASHER         | 8           |                        |
| 10         | M9113000002     | DOOR HANDLE ASSY.    | 1           |                        |
| 11         | 0021806016      | MACHINE SCREW        | 4           |                        |
| 11A        | 0030006000      | HEX, NUT             | 4           |                        |
| 12         | M9110100204     | HINGE                | 2           |                        |
| 13         | M9116100004     | WASHER               | 2           |                        |
| 14         | 0016908020      | HEX, HEAD BOLT       | 3           |                        |
| 15         | M3453200802     | SPLASHER PANEL ..... | 1           | S/N 8500001 TO 8500035 |
| 15         | M3453200812     | SPLASHER PANEL ..... | 1           | S/N 8500036~           |
| 15A        | M3493417004     | ACOUSTIC SHEET ..... | 1           | S/N 8500001 TO 8500035 |
| 15A        | M3493417014     | ACOUSTIC SHEET ..... | 1           | S/N 8500036~           |
| 16         | 0016908065      | HEX, HEAD BOLT ..... | 4           | S/N 8500001 TO 8500040 |
| 17         | 0016910025      | HEX, HEAD BOLT ..... | 2           | S/N 8500041~           |
| 18         | M3453002503     | SIDE DOOR            | 1           |                        |
| 18A        | M3493416804     | ACOUSTIC SHEET       | 1           |                        |
| 19         | M3453002603     | SIDE DOOR            | 1           |                        |
| 19A        | M3493416904     | ACOUSTIC SHEET       | 1           |                        |
| 20         | M3453002703     | SIDE DOOR            | 1           |                        |
| 20A        | M3493417204     | ACOUSTIC SHEET       | 1           |                        |
| 21         | M3453002803     | SIDE DOOR            | 1           |                        |
| 21A        | M3493417104     | ACOUSTIC SHEET       | 1           |                        |
| 22         | M9113000002     | DOOR HANDLE ASSY.    | 4           |                        |
| 22A        | C9312500004     | SEAL RUBBER          | 4           |                        |
| 23         | 0021806016      | MACHINE SCREW        | 16          |                        |
| 23A        | 0030006000      | HEX, NUT             | 16          |                        |
| 24         | M9110100804     | HINGE                | 6           |                        |
| 25         | M9110100904     | HINGE                | 5           |                        |
| 26         | M9116100004     | WASHER               | 11          |                        |
| 27         | 0016908020      | HEX, HEAD BOLT ..... | 26          | S/N 8500001 TO 8500040 |
| 27         | 0019208020      | HEX, HEAD BOLT ..... | 26          | S/N 8500041~           |
| 28         | 0601850097      | STOPPER              | 8           |                        |
| 29         | 0027208025      | MACHINE SCREW        | 8           |                        |
| 30         | M9310000004     | CAP                  | 13          |                        |

# DCA-125USJ — RUBBER SEALS ASSY.

RUBBER SEALS ASSY.



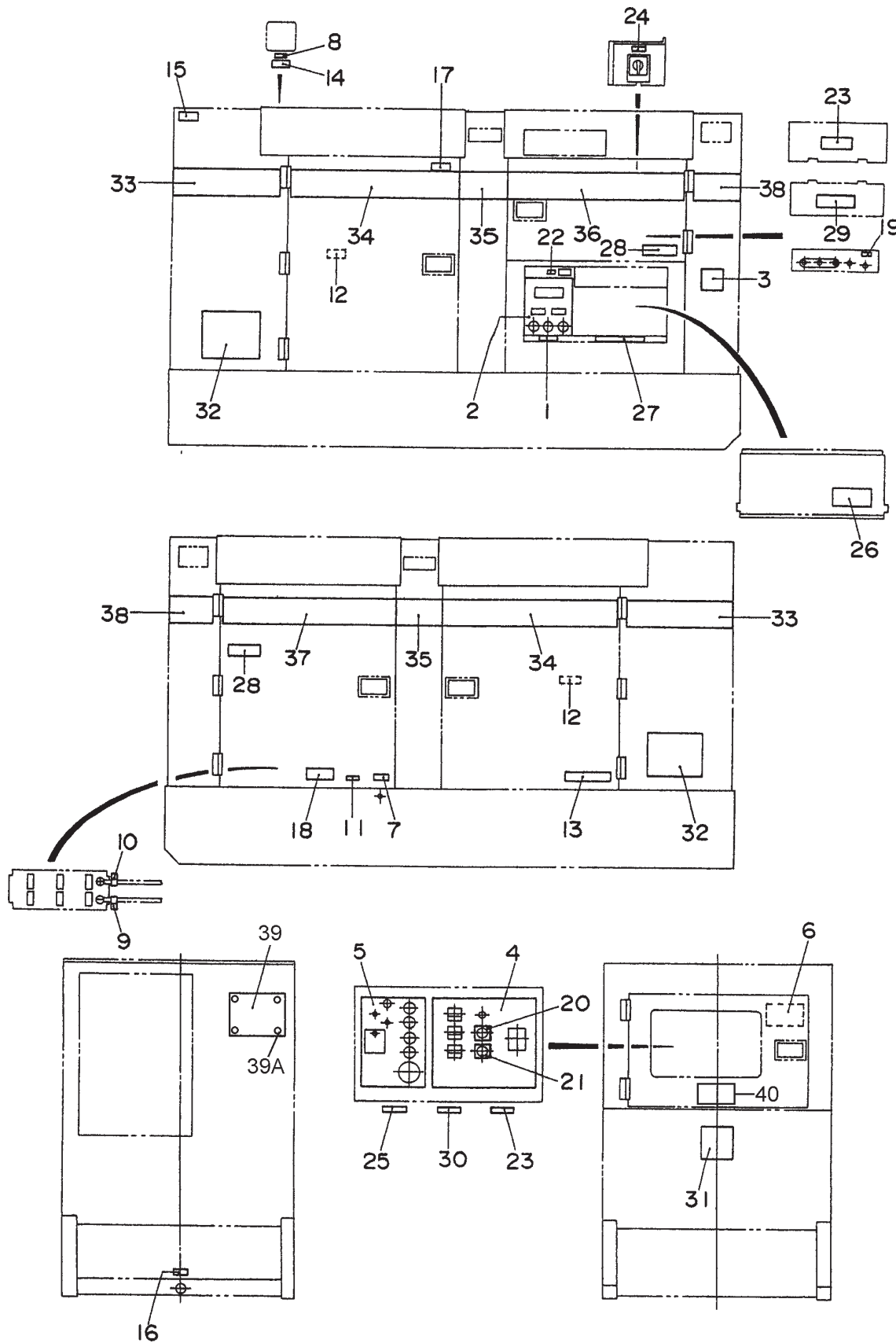
# DCA-125USJ — RUBBER SEALS ASSY.

## RUBBER SEALS ASSY.

| <u>NO.</u> | <u>PART NO.</u> | <u>PART NAME</u> | <u>QTY.</u> | <u>REMARKS</u> |
|------------|-----------------|------------------|-------------|----------------|
| 1          | 0229200870      | RUBBER SEAL      | 1           |                |
| 2          | 0229201130      | RUBBER SEAL      | 1           |                |
| 3          | 0229201240      | RUBBER SEAL      | 3           |                |
| 4          | 0228900660      | RUBBER SEAL      | 2           |                |
| 5          | 0229201070      | RUBBER SEAL      | 1           |                |
| 6          | 0229200125      | RUBBER SEAL      | 4           |                |
| 7          | 0228901165      | RUBBER SEAL      | 3           |                |
| 8          | 0228900925      | RUBBER SEAL      | 4           |                |
| 9          | 0228901105      | RUBBER SEAL      | 3           |                |
| 10         | 0228900565      | RUBBER SEAL      | 1           |                |
| 11         | 0228900945      | RUBBER SEAL      | 4           |                |
| 12         | 0228800505      | RUBBER SEAL      | 1           |                |
| 13         | 0229201200      | RUBBER SEAL      | 1           |                |
| 14         | 0228800635      | RUBBER SEAL      | 1           |                |
| 15         | 0228800970      | RUBBER SEAL      | 2           |                |
| 16         | 0228800595      | RUBBER SEAL      | 1           |                |
| 17         | 0228100640      | RUBBER SEAL      | 2           |                |
| 18         | 0228100370      | RUBBER SEAL      | 2           |                |

# DCA-125USJ — NAMEPLATE AND DECALS ASSY.

## NAMEPLATE AND DECALS ASSY.



# DCA-125USJ — NAMEPLATE AND DECALS ASSY.

## NAMEPLATE AND DECALS ASSY.

| <u>NO.</u> | <u>PART NO.</u> | <u>PART NAME</u>                         | <u>QTY.</u> | <u>REMARKS</u>         |
|------------|-----------------|--|-------------|------------------------|
| 1          | M1550000204     | DECAL, NOTE .....                        | 1           | M15000020              |
| 2          | M1550000703     | DECAL, AUXILARY OUTPUT .....             | 1           | M15000070              |
| 3          | M3550000004     | DECAL, NOTE .....                        | 1           | M35000000              |
| 4          | M3550001603     | DECAL, GENERATOR CONTROL .....           | 1           | M35000160              |
| 5          | M3550001703     | DECAL, ENGINE OPERATING, M35000170 ..... | 1           | S/N 8500001 TO 8500040 |
| 5          | M3550002003     | DECAL, ENGINE OPERATING, M35000200 ..... | 1           | S/N 8500041~           |
| 6          | M3550001803     | DECAL, OPERATING PROCEDURES .....        | 1           | M35000180A             |
| 7          | M9500000004     | DECAL, OIL DRAIN PLUG .....              | 1           | M90000000              |
| 8          | M9500100004     | DECAL, WATER .....                       | 1           | M90010000              |
| 9          | M9500300004     | DECAL, NEGATIVE .....                    | 1           | M90030000              |
| 10         | M9500300104     | DECAL, POSITIVE .....                    | 1           | M90030010              |
| 11         | M9500500004     | DECAL, DIESEL FUEL .....                 | 1           | M90050000              |
| 12         | M9503000004     | DECAL, WARNING MOVING PARTS .....        | 2           | M90300000              |
| 13         | M9503000103     | DECAL, WATER OIL CHECK .....             | 1           | M90300010              |
| 14         | M9503100004     | DECAL, WARNING HOT COOLANT .....         | 1           | M90310000              |
| 15         | M9503200004     | DECAL, WARNING ENGINE EXHAUST .....      | 1           | M90320000              |
| 16         | M9510000004     | DECAL, FLUID DRAIN .....                 | 1           | M91000000              |
| 17         | M9510100004     | DECAL, CAUTION HOT PARTS .....           | 1           | M91010000              |
| 18         | M9510100403     | DECAL, CAUTION .....                     | 1           | M91010040              |
| 19         | M9520000004     | DECAL, GROUND .....                      | 1           | M92000000              |
| 20         | M9520000104     | DECAL, AMMETER CHANGE-OVER SW. ....      | 1           | M92000010              |
| 21         | M9520000204     | DECAL, VOLTMETER CHANGE-OVER SW. ....    | 1           | M92000020              |
| 22         | M9520000504     | DECAL, START CONTACT .....               | 1           | M92000050              |
| 23         | M9520100004     | DECAL, WARNING ELECTRIC HAZARD .....     | 2           | M92010000              |
| 24         | M9520100204     | DECAL, CAUTION .....                     | 1           | M92010020A             |
| 25         | M9520100304     | DECAL, SAFETY INSTRUCTIONS .....         | 1           | M92010030              |
| 26         | M9520100404     | DECAL, DANGER HIGH VOLTAGE .....         | 1           | M92010040              |
| 27         | M9520100503     | DECAL, WARNING .....                     | 1           | M92010050              |
| 28         | M9520100603     | DECAL, CAUTION .....                     | 2           | M92010060              |
| 29         | M9520200003     | DECAL, CONNECTION OF OUTPUT CABLE ..     | 1           | M92020000              |
| 30         | M9520200104     | DECAL, OVER CURRENT RELAY .....          | 1           | M92020010              |
| 31         | M9512200004     | DECAL, MQ .....                          | 1           | M91220000              |
| 32         | M9510200304     | DECAL, MQ POWER                          | 3           |                        |
| 33         | M3560102004     | STRIPE                                   | 2           |                        |
| 34         | M3560102103     | STRIPE, WHISPERWATT                      | 2           |                        |
| 35         | M3560102204     | STRIPE                                   | 2           |                        |
| 36         | M3560102303     | STRIPE, 125                              | 1           |                        |
| 37         | M3560102403     | STRIPE, 125                              | 1           |                        |
| 38         | M3560102504     | STRIPE                                   | 2           |                        |
| 39         | 0600500092      | PLATE, MQ POWER .....                    | 1           | S/N 8400031~           |
| 39A        | 0021106016      | MACHINE SCREW .....                      | 4           | S/N 8400031~           |
| 40         | M9510100304     | DECAL, ENVIRONMENTAL WARNIN6 .....       | 1           | S/N 8400031~           |

# TERMS AND CONDITIONS OF SALE — PARTS

## PAYMENT TERMS

Terms of payment for parts are net 30 days.

## FREIGHT POLICY

All parts orders will be shipped collect or prepaid with the charges added to the invoice. All shipments are F.O.B. point of origin. Multiquip's responsibility ceases when a signed manifest has been obtained from the carrier, and any claim for shortage or damage must be settled between the consignee and the carrier.

## MINIMUM ORDER

The minimum charge for orders from Multiquip is \$15.00 net. Customers will be asked for instructions regarding handling of orders not meeting this requirement.

## RETURNED GOODS POLICY

Return shipments will be accepted and credit will be allowed, subject to the following provisions:

1. A Returned Material Authorization must be approved by Multiquip prior to shipment.
2. To obtain a Return Material Authorization, a list must be provided to Multiquip Parts Sales that defines item numbers, quantities, and descriptions of the items to be returned.
  - a. The parts numbers and descriptions must match the current parts price list.
  - b. The list must be typed or computer generated.
  - c. The list must state the reason(s) for the return.
  - d. The list must reference the sales order(s) or invoice(s) under which the items were originally purchased.
  - e. The list must include the name and phone number of the person requesting the RMA.
3. A copy of the Return Material Authorization must accompany the return shipment.
4. Freight is at the sender's expense. All parts must be returned freight prepaid to Multiquip's designated receiving point.

5. Parts must be in new and resalable condition, in the original Multiquip package (if any), and with Multiquip part numbers clearly marked.
6. The following items are not returnable:
  - a. Obsolete parts. (If an item is in the price book and shows as being replaced by another item, it is obsolete.)
  - b. Any parts with a limited shelf life (such as gaskets, seals, "O" rings, and other rubber parts) that were purchased more than six months prior to the return date.
  - c. Any line item with an extended dealer net price of less than \$5.00.
  - d. Special order items.
  - e. Electrical components.
  - f. Paint, chemicals, and lubricants.
  - g. Decals and paper products.
  - h. Items purchased in kits.
7. The sender will be notified of any material received that is not acceptable.
8. Such material will be held for five working days from notification, pending instructions. If a reply is not received within five days, the material will be returned to the sender at his expense.
9. Credit on returned parts will be issued at dealer net price at time of the original purchase, less a 15% restocking charge.
10. In cases where an item is accepted, for which the original purchase document can not be determined, the price will be based on the list price that was effective twelve months prior to the RMA date.
11. Credit issued will be applied to future purchases only.

## PRICING AND REBATES

Prices are subject to change without prior notice. Price changes are effective on a specific date and all orders received on or after that date will be billed at the revised price. Rebates for price declines and added charges for price increases will not be made for stock on hand at the time of any price change.

Multiquip reserves the right to quote and sell direct to Government agencies, and to Original Equipment Manufacturer accounts who use our products as integral parts of their own products.

## SPECIAL EXPEDITING SERVICE

A \$35.00 surcharge will be added to the invoice for special handling including bus shipments, insured parcel post or in cases where Multiquip must personally deliver the parts to the carrier.

## LIMITATIONS OF SELLER'S LIABILITY

Multiquip shall not be liable hereunder for damages in excess of the purchase price of the item with respect to which damages are claimed, and in no event shall Multiquip be liable for loss of profit or good will or for any other special, consequential or incidental damages.

## LIMITATION OF WARRANTIES

No warranties, express or implied, are made in connection with the sale of parts or trade accessories nor as to any engine not manufactured by Multiquip. Such warranties made in connection with the sale of new, complete units are made exclusively by a statement of warranty packaged with such units, and Multiquip neither assumes nor authorizes any person to assume for it any other obligation or liability whatever in connection with the sale of its products. Apart from such written statement of warranty, there are no warranties, express, implied or statutory, which extend beyond the description of the products on the face hereof.

Effective: February 22, 2006





# OPERATION AND PARTS MANUAL

## HERE'S HOW TO GET HELP

PLEASE HAVE THE MODEL AND SERIAL  
NUMBER ON-HAND WHEN CALLING

### UNITED STATES

#### ***Multiquip Corporate Office***

18910 Wilmington Ave.      Tel. (800) 421-1244  
Carson, CA 90746      Fax (800) 537-3927  
Contact: mq@multiquip.com

#### ***Service Department***

800-421-1244      Fax: 310-537-4259  
310-537-3700

#### ***Technical Assistance***

800-478-1244      Fax: 310-943-2238

#### ***MQ Parts Department***

800-427-1244      Fax: 800-672-7877  
310-537-3700      Fax: 310-637-3284

#### ***Warranty Department***

800-421-1244      Fax: 310-943-2249  
310-537-3700

---

### MEXICO

#### ***MQ Cipsa***

Carr. Fed. Mexico-Puebla KM 126.5      Tel: (52) 222-225-9900  
Momoxpan, Cholula, Puebla 72760 Mexico      Fax: (52) 222-285-0420  
Contact: pmastretta@cipsa.com.mx

### CANADA

#### ***Multiquip***

4110 Industriel Boul.      Tel: (450) 625-2244  
Laval, Quebec, Canada H7L 6V3      Tel: (877) 963-4411  
Contact: jmartin@multiquip.com      Fax: (450) 625-8664

---

### UNITED KINGDOM

#### ***Multiquip (UK) Limited Head Office***

Unit 2, Northpoint Industrial Estate,      Tel: 0161 339 2223  
Globe Lane,      Fax: 0161 339 3226  
Dukinfield, Cheshire SK16 4UJ  
Contact: sales@multiquip.co.uk

© COPYRIGHT 2011, MULTIQUIP INC.

Multiquip Inc, the MQ logo and the MQ Power logo are registered trademarks of Multiquip Inc. and may not be used, reproduced, or altered without written permission. All other trademarks are the property of their respective owners and used with permission.

This manual MUST accompany the equipment at all times. This manual is considered a permanent part of the equipment and should remain with the unit if resold.

The information and specifications included in this publication were in effect at the time of approval for printing. Illustrations, descriptions, references and technical data contained in this manual are for guidance only and may not be considered as binding. Multiquip Inc. reserves the right to discontinue or change specifications, design or the information published in this publication at any time without notice and without incurring any obligations.

Your Local Dealer is:

