

nifty



SD50

SELF DRIVE WORK PLATFORM



49ft 6in

Platform height

28ft 7in

Working outreach

Weight Saving Design

Easily transported & maneuvered on site

Telescopic Upper Boom

Greater accuracy when positioning the platform

Bi-Energy Available

Optimises utilization

Hydraulic Outriggers

For quick & easy set up

Fully Proportional

Hydraulic Controls

Simple, reliable & easy to maintain

Platform Rotation

Improved access to applications



niftylift.com

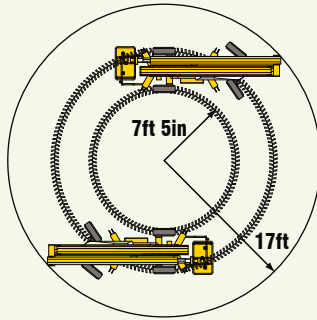


nifty SD50

The Nifty **SD50** combines the best of our self-propelled and trailer mounted ranges. It offers the same staggering reach capabilities as the **TM50** but with the versatility of a robust, yet very lightweight driveable base. This allows the operator to maneuver, set up and operate this machine without leaving the platform, especially useful on uneven surfaces.

SAFETY FEATURES

- Pressure Sensitive Outriggers
- Audible & Visual Alarms
- Lock Valves on all Hydraulic Cylinders
- Dual Controls (Platform & Base)
- Manual Recovery with Hand-Pump
- Double acting cylinders
- Meets OSHA and ANSI Regulations



The **SD50's** outstanding reach makes it ideal for construction site work. Also available trailer mounted, see the Nifty **TM50** specification sheet.

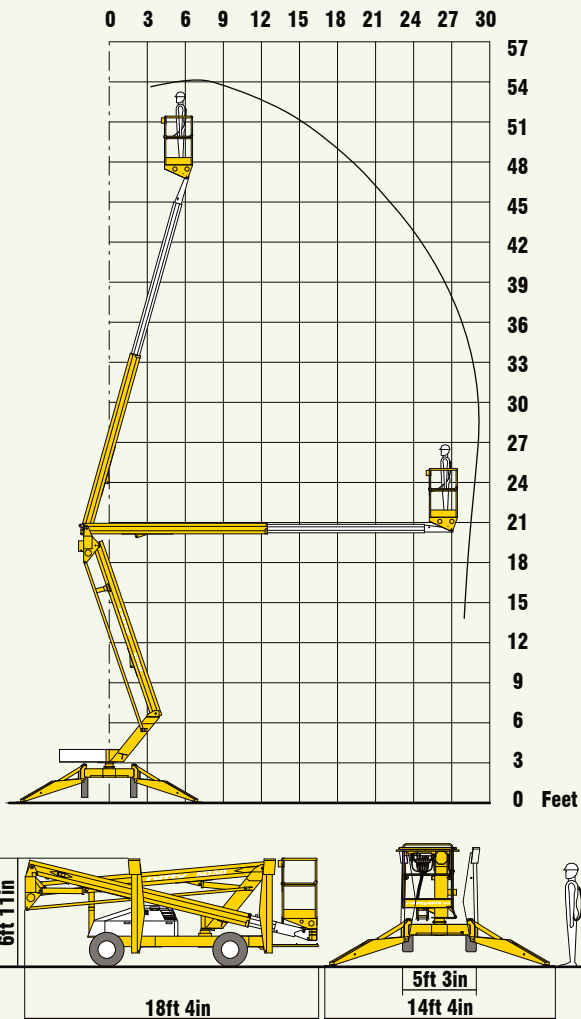


Rough terrain tires as standard and the 4WD option allow the **SD50** to maneuver easily over a wide range of site conditions.

SPECIFICATIONS

Working Height	56ft 1in	17.10m
Platform Height	49ft 6in	15.10m
Working Outreach	28ft 7in	8.70m
Slew	360°	
Width - Travelling	5ft 3in	1.60m
- Working	14ft 5in	4.40m
Height	6ft 11in	2.10m
Length	18ft 4in	5.60m
Minimum Weight	6000lbs*	2750kg*
Turning Radius - Inside	7ft 5in	2.25m
- Outside	17ft	5.20m
Platform Rotation	100°	
Platform Capacity	500lbs	225kg
Platform Size	3ft 7in x 2ft 2in	1.10m x 0.65m
Drive Speed	3.1 mph	5 kph
Gradeability	25% (2x4)	30% (4x4)
Control System	Fully Proportional Hydraulic	
Power Options	Battery Only Gas or Diesel Only Bi-Energy (Engine and Battery)	

* Weights may vary according to specification / power options, please confirm before ordering.



Due to a policy of continuing development and improvement, Niftylift reserves the right to change any specification without notice. Please confirm exact specification before ordering.

Supplied by:

NIFTYLIFT INC

32 Concourse Way,
Greer, SC 29650 USA
Sales: 1-800-NIFTYLIFT (800-643-8954)
Office: 1-877-MYNIFTY (877-696-4389)
Fax: 1-864-968-8836
e.mail: info@niftylift.com
www.niftylift.com

NIFTYLIFT LTD

Fingle Drive, Stonebridge
Milton Keynes, MK13 0ER
England, United Kingdom
Tel.: +44 (0)1908 223456
Fax.: +44 (0)1908 312733
e.mail: info@niftylift.com
www.niftylift.com